

FC 22 W/830 2GX13

LUMILUX T5 FC | Circular fluorescent lamps 16 mm



- Public buildings
- Offices
- Restaurants
- Industry
- Shops
- Supermarkets and department stores
- Hotels

Product benefits

- Extremely economical
- Good quality of light
- Excellent luminous flux
- Excellent uniform illumination with no shadows
- Good average life (with OSRAM ECG)

Product features

- Good color rendering group: 1B (R_a : 80...89)
- Dimmable (from 100...1 % with QT_i DALI/DIM ECG)
- Single-ended round fluorescent lamp
- Tube diameter: 16.0 mm



Technical data

Electrical data

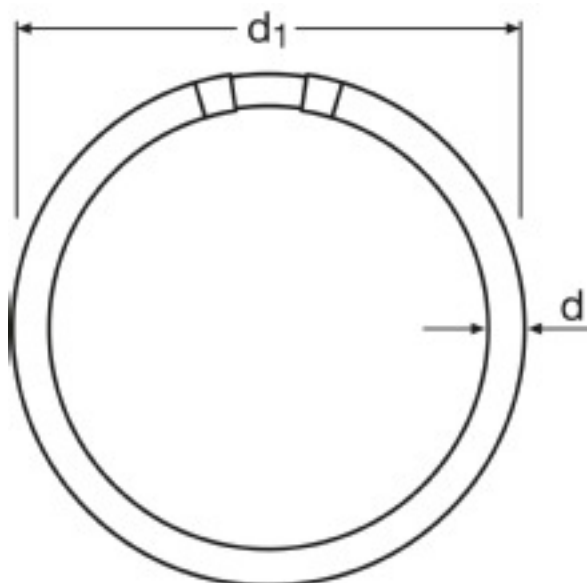
Nominal wattage	22 W
Rated lamp efficacy (standard condition)	81 lm/W
Rated wattage	22.3 W

Light technical data

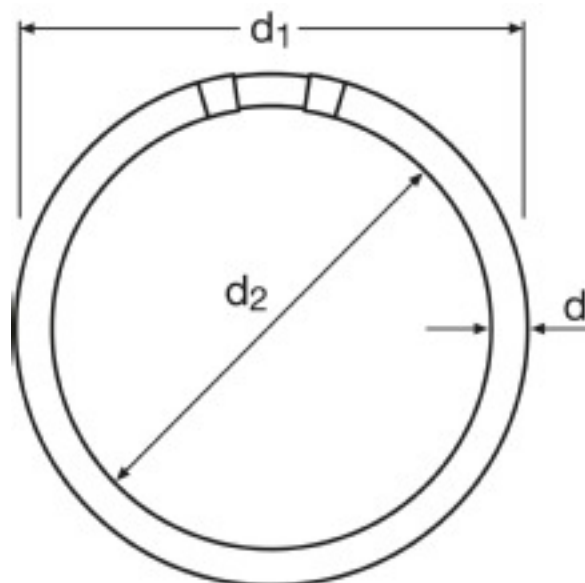
Color rendering index Ra	80...89
Rated luminous flux	1800 lm
Light color	830
Color temperature	3000 K
Nominal luminous flux	1900 lm
Light color as per EN 12464-1	LUMILUX Warm White
Rated LLMF at 2,000 h	0.85
Rated LLMF at 4,000 h	0.83
Rated LLMF at 6,000 h	0.82
Rated LLMF at 8,000 h	0.80
Rated LLMF at 12,000 h	0.75

Dimensions & weight

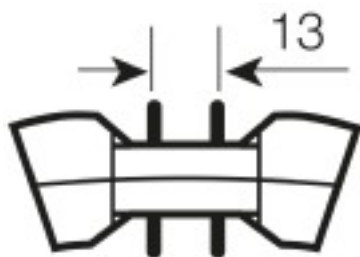
Tube diameter	16 mm
Length	230.0 mm
Length with base excl. base pins/connection	225.00 mm
Diameter	16.0 mm



Product line drawing with letters



Product line drawing - technical



Base

Colors & materials

Lamp mercury content	3.7 mg
----------------------	--------

Temperatures

Rated ambient temp.w.max.luminous flux	30.0 °C
--	---------

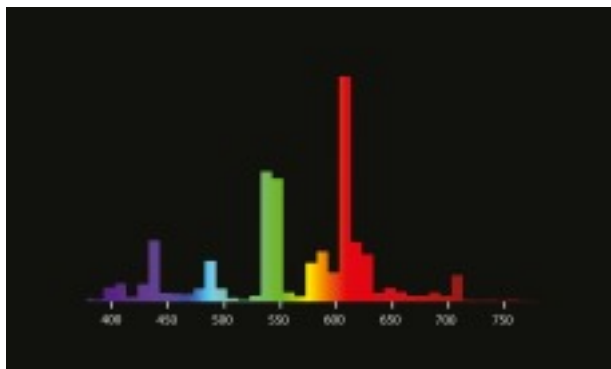
Lifespan

Service life	8000 h ¹⁾
Lifespan	12000 h ¹⁾
Rated lamp survival factor at 2,000 h	0.99
Rated lamp survival factor at 4,000 h	0.99
Rated lamp survival factor at 6,000 h	0.98
Rated lamp survival factor at 8,000 h	0.92
Rated lamp survival factor at 12,000 h	0.50
Operation mode LLMF/LSF	HF

¹⁾ With preheat ECG

Additional product data

Base (standard designation)	2GX13
Appropriate disposal acc. to WEEE	Yes
Footnote used only for product	Suitable for ECG operation only



Spectral power distribution

Capabilities

Suitable for indoor	Yes
---------------------	-----

Certificates & standards

EEI – Energy Label	A
--------------------	---

Lamp-ECG combination (System)

QT-M 2x26-42/220-240 S

Nominal current	0.36 (A)
Nominal wattage	64 (W)
Nominal wattage + Power loss	6.00 (W)
Luminous flux	5000 (lm)
Ambient temperature range	-20...+50 (°C)
Number of lighting outlets	2

Products

QT-M 2x26-42/220-240 S

QTP-M 2x26-32

Nominal current	0.30 (A)
Nominal wattage	62 (W)
Nominal wattage + Power loss	5.00 (W)
Luminous flux	5000 (lm)
Ambient temperature range	-20...+50 (°C)
Number of lighting outlets	2

Products

QTP-M 2x26-32

QTi DALI-T/E 2x18-42 DIM

Nominal current	0.30 (A)
Nominal wattage	62.4 (W)
Nominal wattage + Power loss	7.60 (W)
Luminous flux	5000 (lm)
Ambient temperature range	+10...+50 (°C)
Number of lighting outlets	2

Products

QTi DALI-T/E 2x18-42 DIM

QTi-T/E 2x18-42 DIM

Nominal current	0.30 (A)
Nominal wattage	62.4 (W)
Nominal wattage + Power loss	7.60 (W)
Luminous flux	5000 (lm)
Ambient temperature range	+10...+50 (°C)
Number of lighting outlets	2

Products

QTi-T/E 2x18-42 DIM

QT-ECO 1x18-24/220-240 L

Nominal current	0.16 (A)
Nominal wattage	20 (W)
Nominal wattage + Power loss	2.50 (W)
Luminous flux	1650 (lm)
Ambient temperature range	-15...+50 (°C)
Number of lighting outlets	1

Products

QT-ECO 1x18-24/220-240 L

QT-ECO 1x18-24/220-240 S

Nominal current	0.16 (A)
Nominal wattage	20 (W)
Nominal wattage + Power loss	2.50 (W)
Luminous flux	1650 (lm)
Ambient temperature range	-15...+50 (°C)
Number of lighting outlets	1

Products

QT-ECO 1x18-24/220-240 S

QT-M 2x26-42/220-240 S

Nominal current	0.36 (A)
Nominal wattage	49 (W)
Nominal wattage + Power loss	5.00 (W)
Luminous flux	1800 (lm)
Ambient temperature range	-20...+50 (°C)
Number of lighting outlets	2

Products

QT-M 2x26-42/220-240 S

QTP-M 1x26-42

Nominal current	0.12 (A)
Nominal wattage	22 (W)
Nominal wattage + Power loss	3.00 (W)
Luminous flux	1800 (lm)
Ambient temperature range	-20...+50 (°C)
Number of lighting outlets	1

Products

QTP-M 1x26-42

QTP-M 2x26-32

Nominal current	0.22 (A)
Nominal wattage	45 (W)
Nominal wattage + Power loss	4.00 (W)
Luminous flux	1800 (lm)
Ambient temperature range	-20...+50 (°C)
Number of lighting outlets	2

Products

QTP-M 2x26-32

QTi 1x14/24 DIM

Nominal current	0.11 (A)
Nominal wattage	22.5 (W)
Nominal wattage + Power loss	2.50 (W)
Luminous flux	1750 (lm)
Ambient temperature range	+10...+50 (°C)
Number of lighting outlets	1

Products

QTi 1x14/24 DIM

QTi 1x14/24/21/39 GII

Nominal current	0.15 (A)
Nominal wattage	22 (W)
Nominal wattage + Power loss	3.00 (W)
Luminous flux	1800 (lm)
Ambient temperature range	-20...+50 (°C)
Number of lighting outlets	1

Products

QTi 1x14/24/21/39 GII

QTi 2x14/24 DIM

Nominal current	0.22 (A)
Nominal wattage	45 (W)
Nominal wattage + Power loss	4.00 (W)
Luminous flux	1750 (lm)
Ambient temperature range	+10...+50 (°C)
Number of lighting outlets	2

Products

QTi 2x14/24 DIM

QTi 2x14/24/21/39 GII

Nominal current	0.21 (A)
Nominal wattage	44 (W)
Nominal wattage + Power loss	5.00 (W)
Luminous flux	1800 (lm)
Ambient temperature range	-20...+50 (°C)
Number of lighting outlets	2

Products

QTi 2x14/24/21/39 GII

QTi 3x14/24 DIM

Nominal current	0.32 (A)
Nominal wattage	67.5 (W)
Nominal wattage + Power loss	5.50 (W)
Luminous flux	1750 (lm)
Ambient temperature range	+10...+50 (°C)
Number of lighting outlets	3

Products

QTi 3x14/24 DIM

QTi 4x14/24 DIM

Nominal current	0.43 (A)
Nominal wattage	90 (W)
Nominal wattage + Power loss	8.00 (W)
Luminous flux	1750 (lm)
Ambient temperature range	+10...+50 (°C)
Number of lighting outlets	4

Products

QTi 4x14/24 DIM

QTi DALI 1x14/24 DIM

Nominal current	0.11 (A)
Nominal wattage	22.5 (W)
Nominal wattage + Power loss	2.50 (W)
Luminous flux	1750 (lm)
Ambient temperature range	+10...+50 (°C)
Number of lighting outlets	1

Products

QTi DALI 1x14/24 DIM

QTi DALI 2x14/24 DIM

Nominal current	0.22 (A)
Nominal wattage	45 (W)
Nominal wattage + Power loss	4.00 (W)
Luminous flux	1750 (lm)
Ambient temperature range	+10...+50 (°C)
Number of lighting outlets	2

Products

QTi DALI 2x14/24 DIM

QTi DALI 3x14/24 DIM

Nominal current	0.32 (A)
Nominal wattage	67.5 (W)
Nominal wattage + Power loss	5.50 (W)
Luminous flux	1750 (lm)
Ambient temperature range	+10...+50 (°C)
Number of lighting outlets	3

Products

QTi DALI 3x14/24 DIM

QTi DALI 4x14/24 DIM

Nominal current	0.43 (A)
Nominal wattage	90 (W)
Nominal wattage + Power loss	8.00 (W)
Luminous flux	1750 (lm)
Ambient temperature range	+10...+50 (°C)
Number of lighting outlets	4

Products

QTi DALI 4x14/24 DIM

QTi DALI-T/E 1x18-57 DIM

Nominal current	0.12 (A)
Nominal wattage	21.9 (W)
Nominal wattage + Power loss	4.10 (W)
Luminous flux	1800 (lm)
Ambient temperature range	+10...+50 (°C)
Number of lighting outlets	1

Products

QTi DALI-T/E 1x18-57 DIM

QTi DALI-T/E 2x18-42 DIM

Nominal current	0.22 (A)
Nominal wattage	44.4 (W)
Nominal wattage + Power loss	6.60 (W)
Luminous flux	1800 (lm)
Ambient temperature range	+10...+50 (°C)
Number of lighting outlets	2

Products

QTi DALI-T/E 2x18-42 DIM

QTi-T/E 1x18-57 DIM

Nominal current	0.12 (A)
Nominal wattage	21.9 (W)
Nominal wattage + Power loss	4.10 (W)
Luminous flux	1750 (lm)
Ambient temperature range	+10...+50 (°C)
Number of lighting outlets	1

Products

QTi-T/E 1x18-57 DIM

QTi-T/E 2x18-42 DIM

Nominal current	0.22 (A)
Nominal wattage	44.4 (W)
Nominal wattage + Power loss	6.60 (W)
Luminous flux	1750 (lm)
Ambient temperature range	+10...+50 (°C)
Number of lighting outlets	2

Products

QTi-T/E 2x18-42 DIM

System guarantee

OSRAM System+ Guarantee in combination with OSRAM ECGs

Equipment / Accessories

- Exclusively for operation on electronic control gears

Safety adviceIn case of lamp breakage: www.osram.com/brokenlamp

Logistical Data

Product code	Packaging unit (Pieces/Unit)	Dimensions (height x width x length)	Gross weight	Volume
4050300528489	Folding carton box 1	231 mm x 27 mm x 235 mm	128.50 g	1.47 dm ³
4050300528496	Shipping carton box 12	253 mm x 245 mm x 375 mm	1865.00 g	23.24 dm ³

References / Links

For more information on the system guarantee and the terms and conditions of the guarantee visit

- ▶ www.osram.com/system-guarantee

For more information on QUICKTRONIC electronic control gear go to

- ▶ www.osram.com/QUICKTRONIC

Disclaimer

Subject to change without notice. Errors and omission excepted. Always make sure to use the most recent release.