

REWARDING BRIGHTNESS

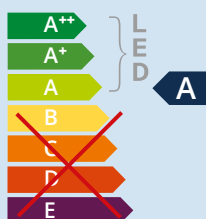


Downlights

Curion 90 HV-IC
Adjustable

Specifications

Colour white	Matte white RAL 9016 (XX=MW)
Colour grey	Matte grey RAL 9006 (XX=GR)
Colour black	Matte black RAL 9005 (XX=BL)
Beam angle (FWHM)	60°
Fixture material	Diecast aluminium
Environment	Indoor
IP rate	IP20
IK rate	IK02
Operating temperature (Ta)	-20°C / +45°C
Safety marks	EN60598 / EN62031 / EN62471
EMC compliance	EN55015
Warranty	7 Years



This luminaire contains built-in LED lamps

The lamps cannot be changed in the luminaire.



874/2012



For soft ceiling tiles we recommend using a wooden plate or a ceiling ring on the reverse side of the tile.

REWARDING BRIGHTNESS

Item specifications

(part A)

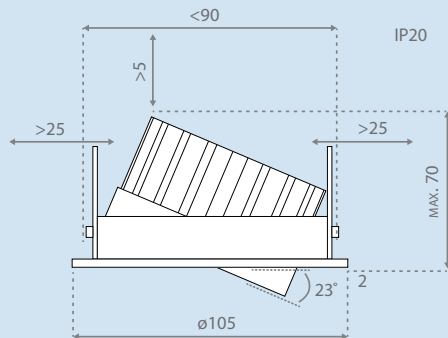
Description	Item code	Type	W	Efficacy	Input	CRI (typ.)	Pf	Inrush current	Energy class
Curion 90 HV-IC 600 Lm 2700K	948603XX4855	Incl. Conn.Box	8,2W	73 Lm/W	220-240V	83	0.98	x	A
Curion 90 HV-IC 600 Lm 3000K	948603XX4955	Incl. Conn.Box	8,0W	75 Lm/W	220-240V	83	0.98	x	A
Curion 90 HV-IC 600 Lm 4000K	948603XX5055	Incl. Conn.Box	7,5W	80 Lm/W	220-240V	83	0.98	x	A
Curion 90 HV-IC 900 Lm 2700K	948903XX4855	Incl. Conn.Box	12,9W	70 Lm/W	220-240V	83	0.99	x	A
Curion 90 HV-IC 900 Lm 3000K	948903XX4955	Incl. Conn.Box	12,6W	71 Lm/W	220-240V	83	0.99	x	A
Curion 90 HV-IC 900 Lm 4000K	948903XX5055	Incl. Conn.Box	11,8W	76 Lm/W	220-240V	83	0.99	x	A

(part B)

Description	Safety class	Weight	Dimensions single carton	Quantity per carton	Expected lifespan (25°C)		
					L70B50	L80B50	L90B50
Curion 90 HV-IC 600 Lm 2700K	II	402 gr	105x105x61 mm	42 pcs	180.000 hrs	113.000 hrs	54.000 hrs
Curion 90 HV-IC 600 Lm 3000K	II	402 gr	105x105x61 mm	42 pcs	180.000 hrs	113.000 hrs	54.000 hrs
Curion 90 HV-IC 600 Lm 4000K	II	402 gr	105x105x61 mm	42 pcs	180.000 hrs	113.000 hrs	54.000 hrs
Curion 90 HV-IC 900 Lm 2700K	II	403 gr	105x105x61 mm	42 pcs	180.000 hrs	113.000 hrs	54.000 hrs
Curion 90 HV-IC 900 Lm 3000K	II	403 gr	105x105x61 mm	42 pcs	180.000 hrs	113.000 hrs	54.000 hrs
Curion 90 HV-IC 900 Lm 4000K	II	403 gr	105x105x61 mm	42 pcs	180.000 hrs	113.000 hrs	54.000 hrs

All values are measured at 230V (+/- 7%)

Dimensions



Dimmer recommendation list

Manufacturer	Product ID	Type	Min-max load	All HV-IC luminaires
ABB Busch Jaeger	6513	RC	40-420VA	✓ 40-100%
Berker	2830 10	R	60-400 W	✓ 20-100%
Berker	2867 10	RC	20-360 W	✓ 40-100%
Berker	2873	RL	20-500 W	✓ 20-100%
Busch Jaeger	6523U	RL	2-100 W	✓ 0-100%
Busch Jaeger	2247U	RL	20-500 W	✓ 0-100%
Elko	315GLE	RC	20-315VA	✓ 40-80%
Elko	400GLI	RL	40-300VA	✓ 20-100%
Eltako	EUD61NPN-UC	RLC	0-400 W	✓ 20-100%
Feller	40600.RL	RL	40-600 W	✓ 20-100%
Feller	40300.RC	RC	20-300 W	✓ 40-100%
Gira	1184-00	R	60-400 W	✓ 20-100%
Gira	1182-00	RC	20-360 W	✓ 40-100%
Gira	2262-00	RL	3-100 W	✓ 20-100%
Ipas	HD300	RC	10-300 W	✓ 40-100%
Ipas	KED-400	RL	35-400VA	✓ 30-100%
Jung	244 EX	R	60-400 W	✓ 20-100%
Jung	243 EX	RC	20-360 W	✓ 40-100%
Jung	225 NV DE	RL	3-100 W	✓ 20-100%
Legrand	078406	RLC	8-300 W	✓ 10-100%
Legrand	067085	RLC	8-300 W	✓ 10-100%
Niko	310-0190X	RLC	5-325 W	✓ 20-100%
Niko	330-00700	RLC	5-200 W	✓ 30-100%
Norwegian	KED400	R	35-400 W	✓ 10-100%
Norwegian	KED600	R	35-600 W	✓ 10-100%
Peha	433 HAB	RC	20-315 W	✗
Peha	434 OA	R	60-400 W	✗
Schneider (Merten)	MTN5131	R	40-400 W	✓ 20-100%
Schneider (Merten)	MTN5133	RL	40-600 W	✓ 20-100%
Schneider (Merten)	MTN5136	RC	20-315 W	✓ 40-100%
Schneider (Merten)	MTN5139	RLC	20-600 W	✓ 30-100%
Schneider (Merten)	MTN577899	RC	20-315 W	✓ 40-100%
Schneider (Merten)	MEG5170	RLC	10-200 W	✗ 40-80%

✓ = OK ✗ = Not recommended