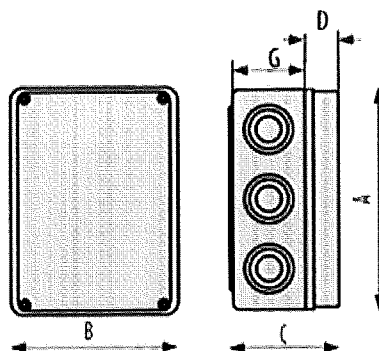


**Enclosures**

**HIL-BOX® enclosure system  
including diaphragms, screwed cover**

shock resistant enclosures including **moulded glands** in soft material. Cover fixed by stainless steel screws.

protection spec.: IP 65 acc. DIN EN 60529/DIN 40050  
 material: base and lid ABS (UV resistant, halogen free), membrane entry rubber  
 installation temp.: -5°C up to +60°C acc. DIN EN 60670  
 temperature resistance: max. 70°C acc. DIN EN 60695-10-2  
 flame protection: 650°C acc. DIN EN 60695-2-11



<b>Item Number</b>	<b>55270</b>
<b>HIL-BOX® enclosure system</b>	
<b>A [mm]</b>	240,00
<b>B [mm]</b>	190,00
<b>C [mm]</b>	90,00
<b>G [mm]</b>	75,00
<b>D [mm]</b>	25,00
<b>Ø membranes</b>	37,00
<b>membranes</b>	12,00

[Download PDF](#)



Hilpress GmbH  
 Grützmühlenweg 40  
 D-22339 Hamburg  
 Web: [www.hilpress.com](http://www.hilpress.com)  
 eMail: [export@hilpress.de](mailto:export@hilpress.de)

Date: 17.01.2013