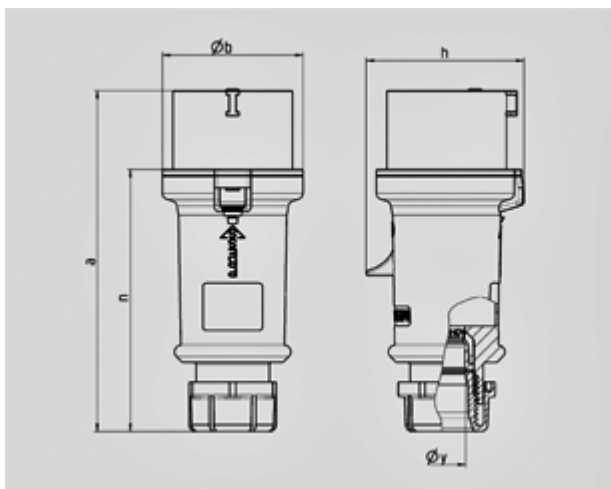


Plug ProTOP - Part no. 160


- screw terminals
- cable gland and sealing
- strain relief and protection against kinking
- enclosure with thread lock and safety slide

| | |
|-----------------------|-----------------|
| Protection type | IP 44 |
| Ampere | 32A |
| Poles | 3p |
| Voltage | 230V |
| Hertz | 50-60 Hz |
| Earth position | 6h |
| Contact | standard |
| Connection technology | Screw terminals |
| Shutter | |

Std. Pack. 10 Qty.



| Drawing | Amp. | 16 | | | 32 | | |
|-------------------|---|------|-------|-------|------|------|-----|
| | | 3 | 4 | 5 | 3 | 4 | 5 |
| 2 MB 214 | Poles | | | | | | |
| Dim. in mm | a | 148 | 160 | 160 | 197 | 197 | 197 |
| | b | 55 | 65,6 | 65,6 | 75 | 75 | 75 |
| | h | 61 | 72,5 | 72,5 | 80,5 | 80,5 | 85 |
| | n | 112 | 123,5 | 123,5 | 152 | 152 | 152 |
| | y | 14,5 | 16 | 16 | 22 | 22 | 22 |
| | Terminal for cond. cross | 1 | 1 | 1 | 2,5 | 2,5 | 2,5 |
| | section (mm²) min.-max. | -2,5 | -2,5 | -2,5 | -6 | -6 | -6 |