

**Kambrytere Impulsbrytere, Inn-Ut impuls, 1-pol.
Inn-Ut impuls**

1 pol

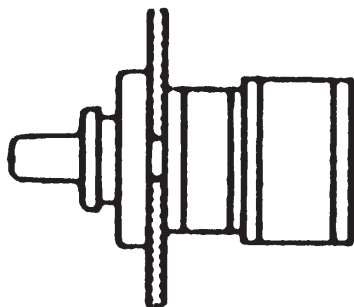
T0-1-8178/E

- 1456260

Tekniskinformasjon:

Innfelt
front IP 65

T0-1-8176/...
T0-1-8178/...
T0-1-8175/...



Tilleggsutstyr:

Type

EL.nr.



ZFS60-T0

1456506



BS 45x14-T0

1457488



S-T0

1456512



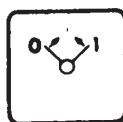
EZ-T0

1456513



EZ/OFS-T0

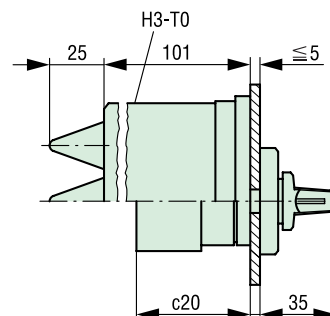
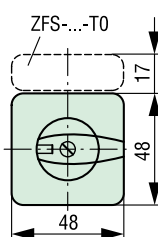
1456514



FS456-T0

1456572

T0.../E (+ H3-T0)
T3.../E (+ H3-T0)



Type	c20
T0-1...	41
T0-2...	50
T0-3...	60
T0-4...	69
T0-5...	79
T0-6...	88
T0-7...	98
T0-8...	107
T0-9...	117
T0-10...	126
T0-11...	136