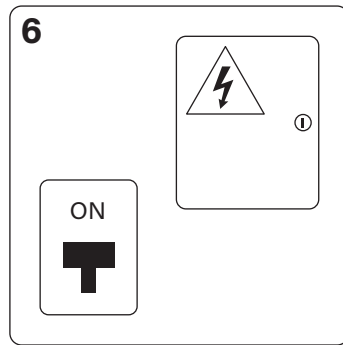
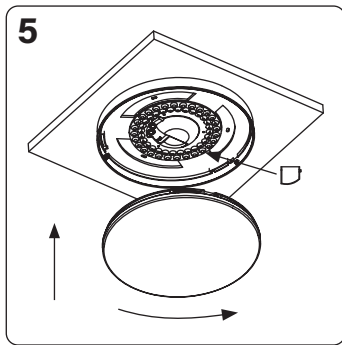
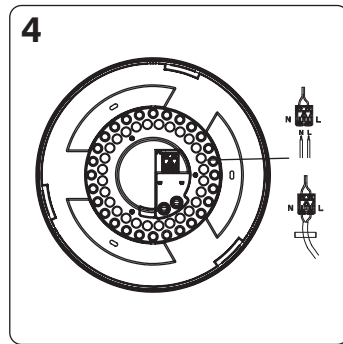
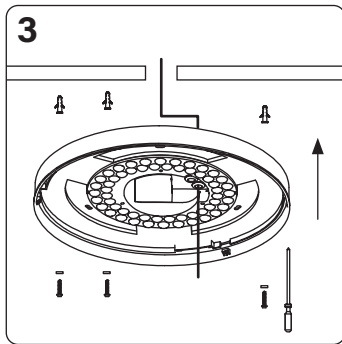
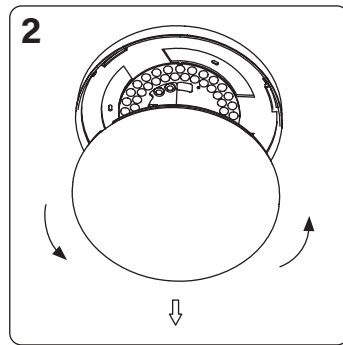
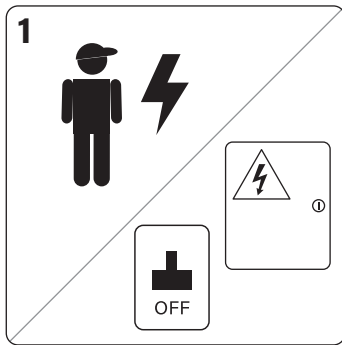
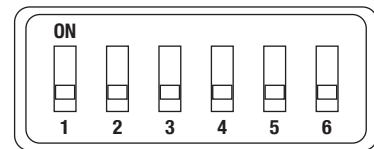


This product contains a light source in energy efficiency class **D**

Find the updated manual on our website - nordtronic.com
With reservation for typing errors



Adjust the sensor combinations by using the DIP Switches as indicated below



Detection range		
	1	2
3-4 m	ON	ON
2-3 m	OFF	ON
1-2 m	ON	OFF
Always on	OFF	OFF

Timer setting		
	3	4
30 s	ON	ON
3 min	OFF	ON
5 min	ON	OFF
10 min	OFF	OFF

Lux setting		
	5	6
<10 lux	ON	ON
<30 lux	OFF	ON
<50 lux	ON	OFF
Always off	OFF	OFF

Find the updated manual on our website – nordtronic.com
With reservation for typing errors