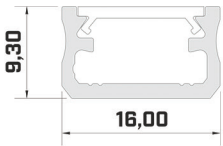




A



Profile LED Lumines A

Lumines A - surface-mounted Profile.
Mounting: two-sided adhesive tape.

PRODUCT PARAMETERS

Dimensions (mm) 1000, 2020, 2900

The width of the LED tape up to 12 mm

Application Surface-mounted profile - for decorative lighting in offices and homes

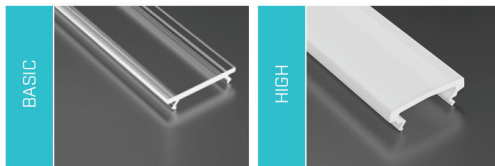
also check

End caps

Mounting clips



Covers [PVC/PMMA\PC]



Accessories

end caps BASIC [with hole, without hole]:

* gray, black, white, inox

end caps HIGH [with hole, without hole]:

* gray, black, white, inox

covers BASIC:

* transparent, frozen, milky

frosted, milky frosted

covers HIGH:

* transparent, frozen, milky

frosted, milky frosted

mounting clips:

* for A with BASIC cover, for A with HIGH cover

Profil A - colours



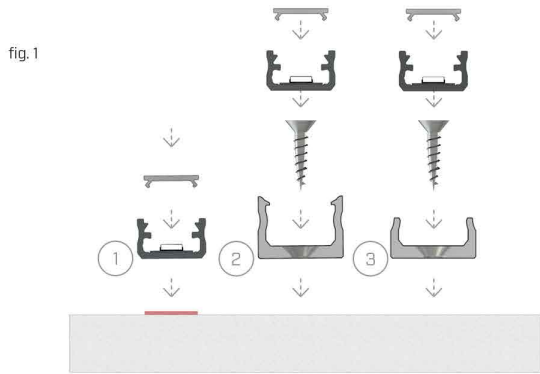
WHITE
(lacquered)

BLACK
(anodized)

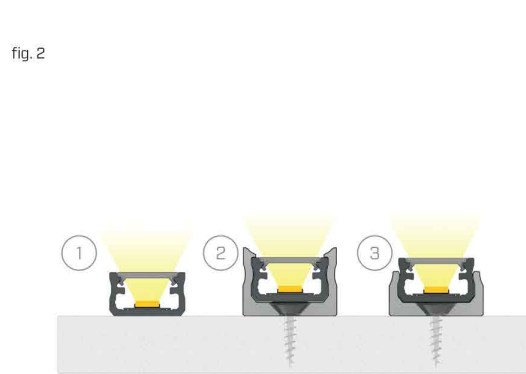
INOX
(anodized)

SILVER
(anodized)

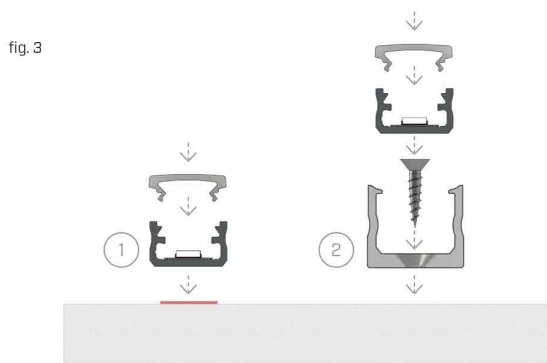
NONANODIZED



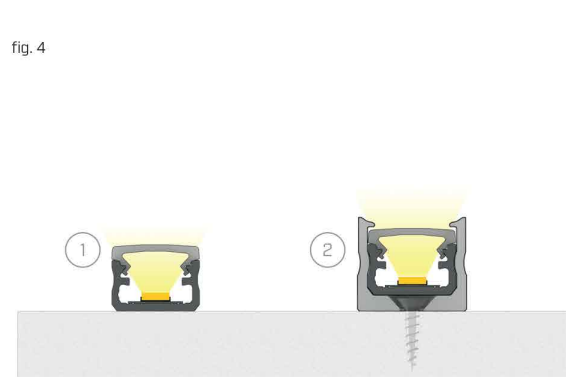
Installation instructions for profile A with BASIC cover (1) with double-sided tape (2) with a mounting clip for A and a BASIC cover (3) with a MINI mounting clip for A



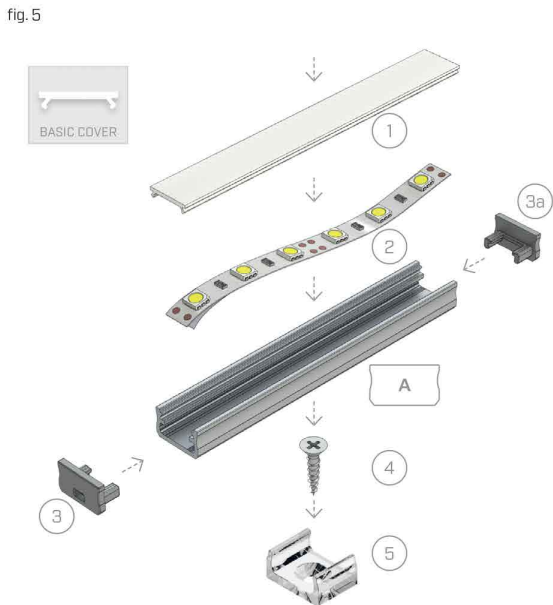
The result of installation of profile A with BASIC cover (1) with double-sided tape (2) with a mounting clip for A and a BASIC cover (3) with a MINI mounting clip for A



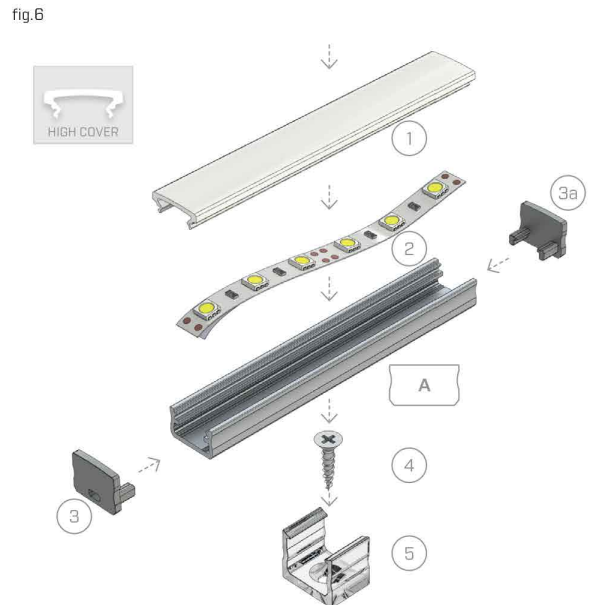
Installation instructions for profile A with HIGH cover (1) with double-sided tape (2) and a mounting clip



The result of installation of profile A with HIGH cover (1) with double-sided tape (2) and a mounting clip



Assembly scheme for elements of the lighting system using (1) a BASIC cover (2) a LED strip (3) a end cap with hole (3a), a end cap without hole (4), a mounting screw (5), a MINI mounting clip for profile A



Assembly scheme for elements of the lighting system using a profile A and (1) a HIGH cover (2), a LED strip (3), a end cap with hole (3a), a end cap without hole (4), a mounting screw (5), a mounting clip for profile A with a HIGH cover