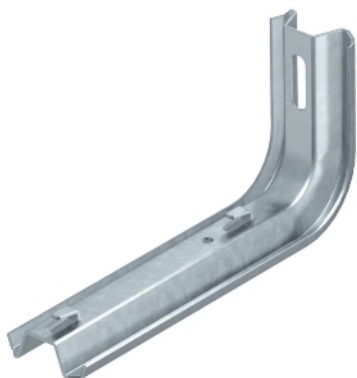


### TP support / wall and support bracket



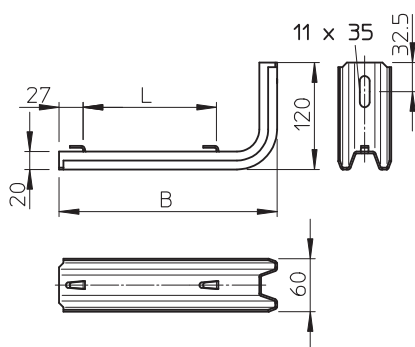
TP bracket with clamping lugs for screwless mesh cable tray fastening. If the bracket is fastened directly to the wall or the profiles are screwed together, then, for reasons of stability, always use the spacer, type DS 4.

Type	For width mm	F in kN	Pack. pcs	Weight kg/100 pcs.	Item No.
TPSAG 145 FS	100	1,5	50	33,000	6366015
TPSAG 195 FS	150	1	20	41,000	6366023
TPSAG 245 FS	200	0,9	20	48,000	6366031
TPSAG 345 FS	300	0,55	20	61,000	6366066
TPSAG 145 FT	100	1,5	50	33,000	6366131
TPSAG 195 FT	150	1	20	42,000	6366135
TPSAG 245 FT	200	0,9	20	49,000	6366139
TPSAG 345 FT	300	0,55	20	65,000	6366143
TPSAG 145 VA4301	100	1,5	50	32,000	6366145
TPSAG 195 VA4301	150	1	20	40,000	6366146
TPSAG 245 VA4301	200	0,9	20	47,000	6366148
TPSAG 345 VA4301	300	0,55	20	61,000	6366149

**St** Steel **V2A** Stainless steel, grade 304

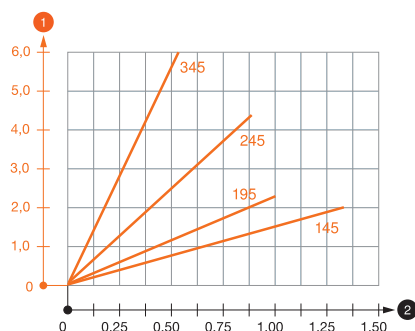
**FS** Strip-galvanised **FT** Hot-dip galvanised

#### Dimensions



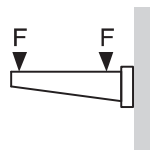
Type	Dimension B mm	Dimension L mm
TPSAG 145 FS	145	50
TPSAG 195 FS	195	100
TPSAG 245 FS	245	150
TPSAG 345 FS	345	250
TPSAG 145 FT	—	50
TPSAG 195 FT	—	100
TPSAG 245 FT	—	150
TPSAG 345 FT	—	250
TPSAG 145 VA4301	145	50
TPSAG 195 VA4301	195	100
TPSAG 245 VA4301	245	150
TPSAG 345 VA4301	345	250

#### Load



#### Load diagram, bracket TPSAG

- ① Bending of the bracket tip at permitted bracket load
- ② Permitted bracket load in kN without man load
- Load curve with bracket lengths in mm



#### Characteristic anchor load values for TP bracket - Wall fastening

Max. load F [kN]	145	195	245	345
Bracket width [mm]	145	195	245	345
Anchor type				
BZ-U 8-30-41/95	1	0,8	0,7	0,5
BZ-U 10-30-50/110	1,5	1	0,9	0,55

Max. total load  $F = \text{cable weight} + \text{cable tray} + \text{bracket}$ . The load capacity values increase considerably when used in uncracked concrete. The values given are based on concrete of strength class C20/25. Observe the installation conditions of the DIBt approval (anchors).