



LED SPOT - RONDEL

SVENNER

El.number: 32 01 335



FEATURES

LED GU10 Spot Light

- can be dimmed with most of TRIAC dimmers

Spot-head can be adjusted vertically and horizontally

White/Chrome finishes

Special-designed heat sink

- compact design to replace halogen GU10 directly

LED COB GU10 lamps included

Superior light output

- up to 400lm each lamp to replace 50W halogen

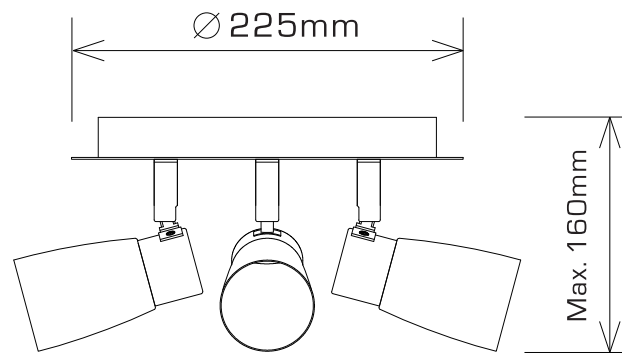
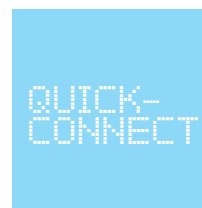
Up to 30,000 hours lifetime

Up to 85% energy saving

3 years limited warranty



COB
LED technology



ART.NO.	WATT (W)	INPUT	DIMMING FUNCTION	LUMEN (lm)	CRI	COLOR TEMPERATURE	BEAM ANGLE	M.O.D. (mm)	HEIGHT (mm)	LIFE SPAN (hrs)	QTY/CTN (pcs)
LED SPOT LIGHTS 3X6W											
LSP-3R	3X6W	220-240V/50Hz	DIMMABLE	1,200	>82	2700K	30°	225	160	30,000	4



All rights reserved by **Morene AS**.
Specifications subject to change without prior notice.
Attn: Mr.Terje Holte Mobile: 9093 0121



COB
LED technology

