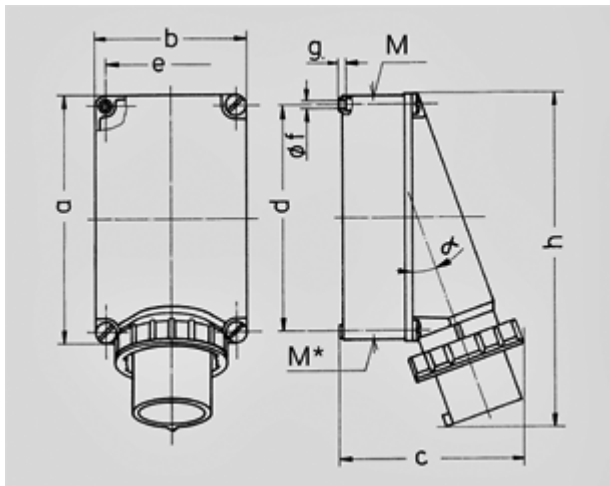


Wall mounted inlet - Part no. 363


- screw terminals
- for a suitable watertight protective cover for 63A see Part no. 40434

| | |
|-----------------------|-----------------|
| Protection type | IP 67 |
| Ampere | 125A |
| Poles | 4p |
| Voltage | 230V |
| Hertz | 50-60 Hz |
| Earth position | 9h |
| Contact | standard |
| Connection technology | Screw terminals |
| Shutter | |

Std. Pack. 5 Qty.



| Drawing | Amp. | 63 | | | 125 | |
|---|------|-------|------|------|-----|-----|
| | | Poles | | | 4 | 5 |
| 2 MB 36 | | 3 | 4 | 5 | 4 | 5 |
| Dim. in mm | a | 170 | 170 | 170 | 264 | 264 |
| | b | 118 | 118 | 118 | 163 | 163 |
| | c | 171 | 171 | 171 | 205 | 205 |
| | d | 136 | 136 | 136 | 240 | 240 |
| | e | 104 | 104 | 104 | 140 | 140 |
| | f | 6,1 | 6,1 | 6,1 | 8,1 | 8,1 |
| | g | 6 | 6 | 6 | 8 | 8 |
| | h | 250 | 250 | 250 | 355 | 355 |
| | M | 40 | 40 | 40 | 50 | 50 |
| | M* | 2x40 | 2x40 | 2x40 | 50 | 50 |
| | α | 25° | 25° | 25° | 20° | 20° |
| Max. cable diam. (mm) | | 32 | 32 | 32 | 38 | 38 |
| Terminal for cond. cross section (mm ²) min.-max. | | 4 | 4 | 4 | 16 | 16 |
| | | -10 | -10 | -10 | -35 | -35 |