

L 38 W/830

LUMILUX T8 | Tubular fluorescent lamps 26 mm, with G13 bases



- Public buildings
- Office lighting
- Industry
- Shops
- Supermarkets and department stores
- Street lighting

Product benefits

- Up to 18 % higher luminous efficacy than conventional T8 BASIC lamps
- Good economy thanks to high efficiency

Product features

- Very good lumen maintenance: >90 % throughout the life of the lamp
- Good color rendering group: 1B (R_a : 80...89)
- Dimmable
- Top-quality three-band phosphor: LUMILUX
- Available in many different light colors (2,700...8,000 K) for every application and preference



Technical data

Electrical data

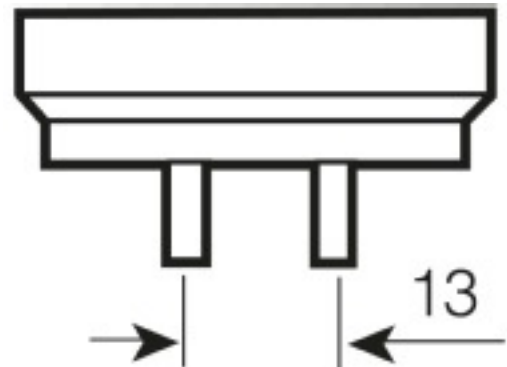
Nominal wattage	38 W
Rated lamp efficacy (HF data)	Under clarification by authority and standardization body
Rated lamp efficacy (standard condition)	87 lm/W
Rated wattage	38 W

Light technical data

Color rendering index Ra	>=80
Rated luminous flux	3300 lm
Luminous flux at 25 °C	3300 lm
Light color	830
Color temperature	3000 K
Nominal luminous flux	3300 lm
Light color as per EN 12464-1	LUMILUX Warm White
Rated LLMF at 2,000 h	0.95
Rated LLMF at 4,000 h	0.92
Rated LLMF at 6,000 h	0.91
Rated LLMF at 8,000 h	0.90
Rated LLMF at 12,000 h	0.89
Color coordinates chromaticity diagram	0.44/0.403

Dimensions & weight

Tube diameter	26 mm
Length	1047.0 mm
Length with base excl. base pins/connection	1047.00 mm
Diameter	26.0 mm



G13
IEC 7004-51
DIN 49653 T1

Product line drawing with letters

Base

Colors & materials

Lamp mercury content	2.5 mg
----------------------	--------

Temperatures

Rated ambient temp.w.max.luminous flux	25.0 °C
--	---------

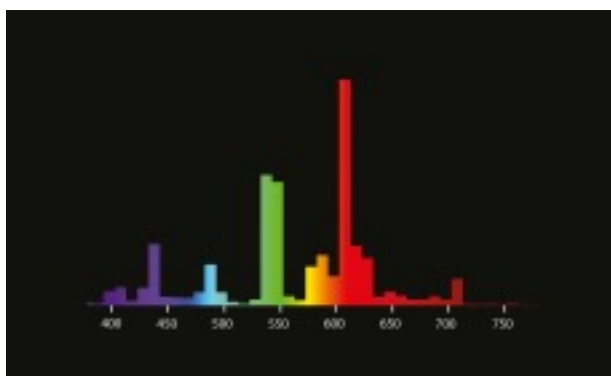
Lifespan

Service life	16000 h ¹⁾
Lifespan	20000 h ¹⁾
Rated lamp survival factor at 2,000 h	0.99
Rated lamp survival factor at 4,000 h	0.99
Rated lamp survival factor at 6,000 h	0.99
Rated lamp survival factor at 8,000 h	0.99
Rated lamp survival factor at 12,000 h	0.90
Operation mode LLMF/LSF	50 Hz

¹⁾ With preheat ECG

Additional product data

Base (standard designation)	G13
Appropriate disposal acc. to WEEE	Yes



Spectral power distribution

Capabilities

Suitable for indoor	Yes
---------------------	-----

Certificates & standards

EEI - Energy Label	A
--------------------	---

Lamp-ECG combination (System)

HF 1x36/230-240 DIM

Nominal current	0.17 (A)
Nominal wattage	32 (W)
Nominal wattage + Power loss	4.00 (W)
Luminous flux	3200 (lm)
Ambient temperature range	+15...+50 (°C)
Number of lighting outlets	1

Products

HF 1x36/230-240 DIM

HF 2x36/230-240 DIM

Nominal current	0.31 (A)
Nominal wattage	64 (W)
Nominal wattage + Power loss	7.00 (W)
Luminous flux	3350 (lm)
Ambient temperature range	+15...+50 (°C)
Number of lighting outlets	2

Products

HF 2x36/230-240 DIM

QTP8 1x36

Nominal current	0.16 (A)
Nominal wattage	32 (W)
Nominal wattage + Power loss	3.00 (W)
Luminous flux	3200 (lm)
Ambient temperature range	-25...+55 (°C)
Number of lighting outlets	1

Products

QTP8 1x36/230-240

QTP8 2x36

Nominal current	0.31 (A)
Nominal wattage	64 (W)
Nominal wattage + Power loss	6.00 (W)
Luminous flux	3200 (lm)
Ambient temperature range	-25...+55 (°C)
Number of lighting outlets	2

Products

QTP8 2x36/230-240

QTi 1x14/24/21/39 GII

Nominal current	0.09 (A)
Nominal wattage	32 (W)
Nominal wattage + Power loss	3.00 (W)
Luminous flux	3300 (lm)
Ambient temperature range	-20...+50 (°C)
Number of lighting outlets	1

Products

QTi 1x14/24/21/39 GII

QTi 1x36 DIM

Nominal current	0.16 (A)
Nominal wattage	32 (W)
Nominal wattage + Power loss	4.00 (W)
Luminous flux	3300 (lm)
Ambient temperature range	+15...+50 (°C)
Number of lighting outlets	1

Products

QTi 1x36 DIM

QTi 2x36 DIM

Nominal current	0.31 (A)
Nominal wattage	64 (W)
Nominal wattage + Power loss	5.00 (W)
Luminous flux	3350 (lm)
Ambient temperature range	+15...+50 (°C)
Number of lighting outlets	2

Products

QTi 2x36 DIM

QTi DALI 1x36 DIM

Nominal current	0.16 (A)
Nominal wattage	32 (W)
Nominal wattage + Power loss	4.00 (W)
Luminous flux	3300 (lm)
Ambient temperature range	+10...+50 (°C)
Number of lighting outlets	1

Products

QTi DALI 1x36 DIM

QTi DALI 2x36 DIM

Nominal current	0.31 (A)
Nominal wattage	64 (W)
Nominal wattage + Power loss	5.00 (W)
Luminous flux	3300 (lm)
Ambient temperature range	+10...+50 (°C)
Number of lighting outlets	2

Products

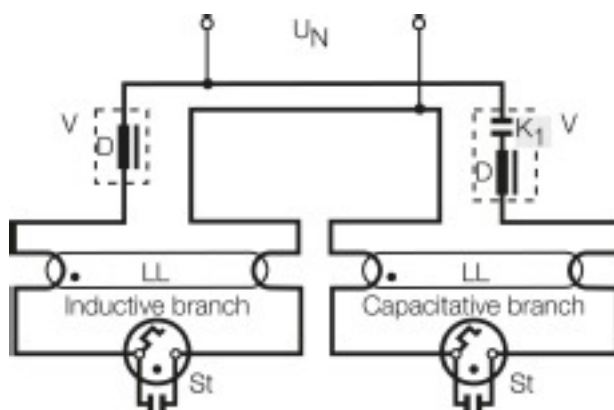
QTi DALI 2x36 DIM

System guarantee

OSRAM System+ Guarantee in combination with OSRAM ECGs

Safety advice

In case of lamp breakage: www.osram.com/brokenlamp



Circuit diagram

Logistical Data

Product code	Packaging unit (Pieces/Unit)	Dimensions (height x width x length)	Gross weight	Volume
4050300518152	Sleeves 1	26 mm x 26 mm x 592 mm	162.50 g	0.40 dm ³
4050300518169	Shipping carton box 25	151 mm x 150 mm x 1129 mm	4447.50 g	25.57 dm ³

References / Links

For more information on the system guarantee and the terms and conditions of the guarantee visit

- ▶ www.osram.com/system-guarantee

For more information on QUICKTRONIC electronic control gear go to

- ▶ www.osram.com/QUICKTRONIC

Disclaimer

Subject to change without notice. Errors and omission excepted. Always make sure to use the most recent release.