

Technical data sheet

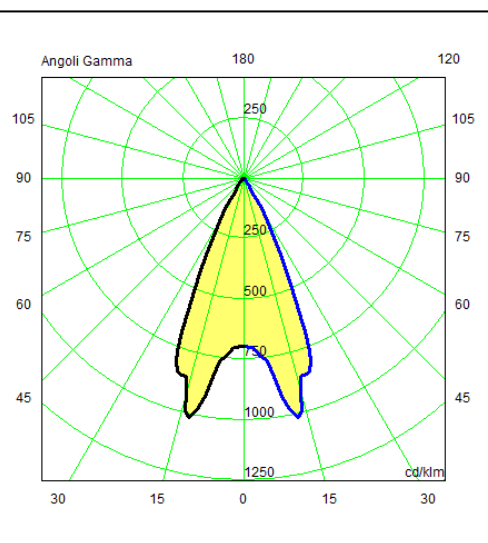
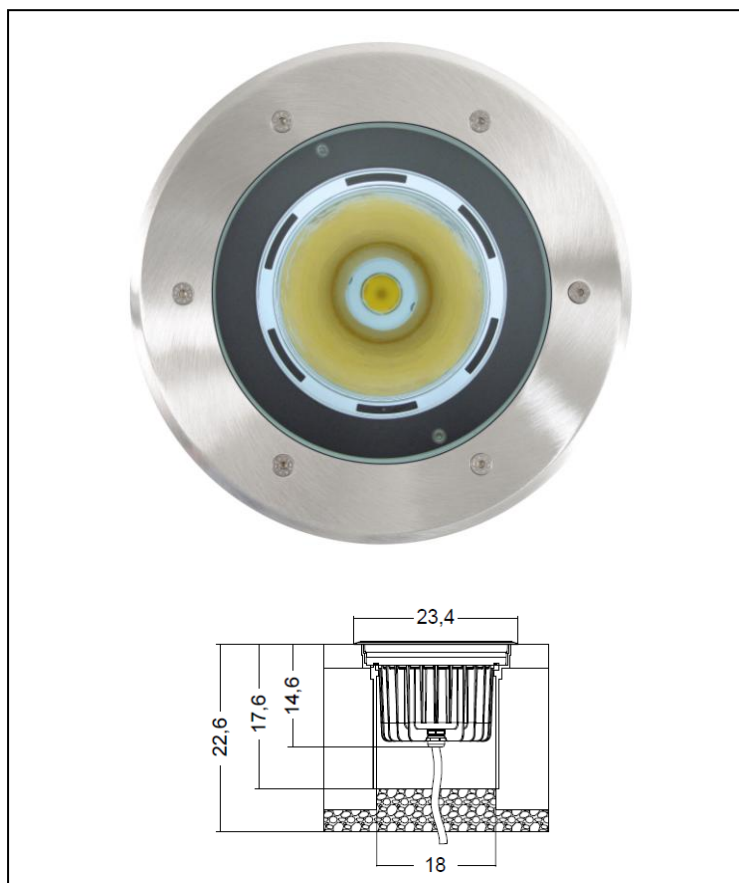
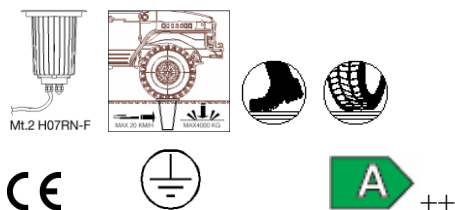
All right reserved Landa illuminotecnica S.p.A.
will reserve to change the specific note without
any written notice.

LANDA[®]
illuminotecnica

Mira 220

Article 5521LL20H
Product type driveover
Body material Die-casting aluminium EN47100, prior the painting process, washed with stones. Painting made by polyester powder with high resistant against oxidation.
Tempered glass diffuser in transparent or sand blasted finish 19mm thick for driveway environments and silicon gasket.
Reflector in aluminium anodized. Screws in A2 stainless steel
Recessed box is in a high density polyethylene with a security ring in nylon material loaded with 30% glass fibre.
RING IN STAINLESS STEEL AISI 316L 4 mm THICKNESS
Transformer not requested AC 220/240V

IK10
IP67
Powered by
Citizen Electronics
2280LM – 1400 lx at 1mt
20W 220 - 240V
3000°K RA80
Dimmable: Yes-Triac
Symmetric - Beam 60°



Also available with:

cod. **0201001.19B**
vetro opale/opal glass/
verre opale/vídrno ópalo/Glas opal

cod. **0201001.19A**
vetro antiscivolo/non-slip glass/
verre anti dérapant/cristal antiresbaladizo/
rutschhemmendes Glas

Antivandalism set

