

Technical data sheet

All right reserved Landa illuminotecnica S.p.A.
will reserve to change the specific note without
any written notice.

LANDA®
illuminotecnica

Mira 65

| |
|--|
| Article 5385LL5H.BRZ Warm White |
| Product type: Recessed |
| Body material Anodized aluminium AW 6060 |
| Opal polycarbonate diffuser in 5mm thick and silicon gasket. |
| Dimmable: no |
| Colour: bronze anodized |
| 240V AC Transformer not requested |

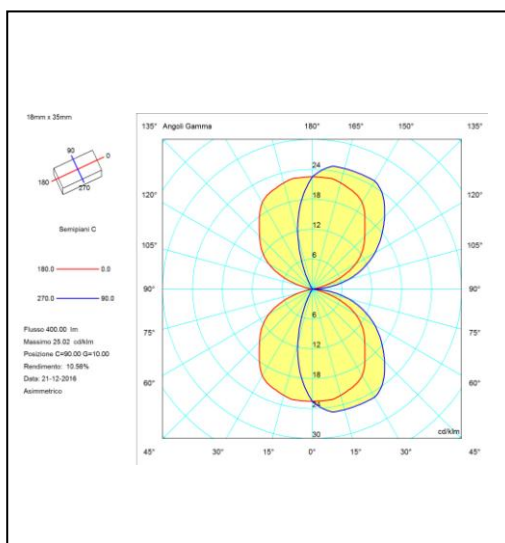
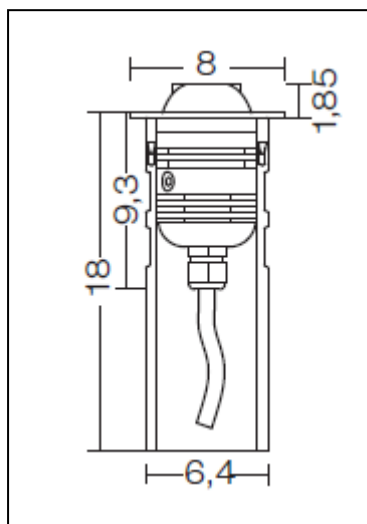
IK08
IP67

Powered by
Philips Luxeon H50-2

WarmWhite 5W 400lm
3000°K RA80

240V AC

Transformer not requested
Supplied with 1 mt. cable H05RN-F



Accessories available on request:



code **0404M009**
Single connection IP68

