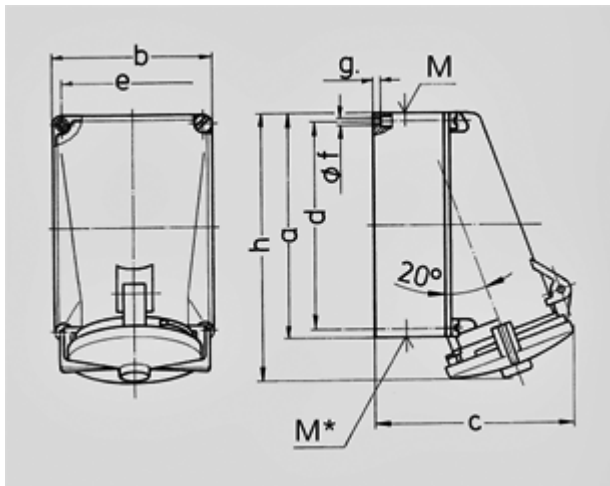


Wall mounted receptacle - Part no. 138


- screw terminals
- Products with pilot contact: Part no. + index P

Protection type	IP 67
Ampere	125A
Poles	4p
Voltage	230V
Hertz	50-60 Hz
Earth position	9h
Contact	standard
Connection technology	Screw terminals
Shutter	

Std. Pack. 3 Qty.



Drawing	Amp.	125	
		4	5
1 MB 162	Poles		
Dim. in mm	a	264	264
	b	163	163
	c	203	203
	d	240	240
	e	140	140
	f	8,1	8,1
	g	8	8
	h	313	313
	M	50	50
	M*	50	50
	Max. cable diam. (mm)	38	38
	Terminal for cond. cross section (mm ²) min.-max.	25	25
		-35	-35