



## **AZPAND LFC2 series** 1-foot/2-foot/3-foot/4-foot T5 LED Fitting

The AZPAND LFC2 series is compact low profile T5 LED fitting which saves up to 60% energy compared to a standard T5 fluorescent luminaire. Available in 1, 2, 3 and 4 feet, the LFC2 is ideal for cove lighting, cabinet lighting and other interior decoration applications.

### **Applications**

- Residential lighting – general ambient, furniture, under-cabinet, mirror-side, corridor lighting
- Commercial and retail lighting – display racks, suspended, cove, shop windows, light lines, partition light for offices, shops, hotels and restaurants

### **Cascadable**

- Able to join multiple lighting fixtures without additional wiring
- Independent power switch on each fixture gives full control even during cascaded application

### **Superb Performance**

- Seamless light – no black spot when joining multiple lighting fixtures
- High performance frosted diffuser ensures minimum light loss and even light distribution
- High CRI with good colour reproduction
- Long lifespan of 35,000 hours

### **Compact Casing**

- Light weight and ultra slim
- Easy to install and fix well into tight spaces



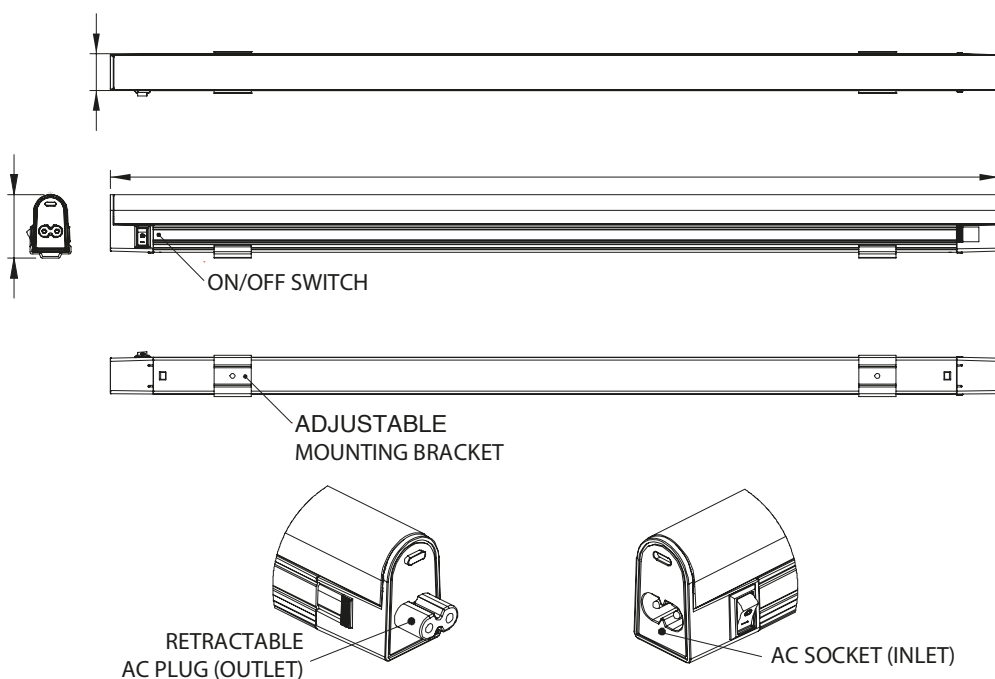
## Specifications

Note: All specifications subject to change without prior notice.



Model No.	Power	Colour Temp.	Lumen	CRI	Length	Replacement for
LFC2-104	4W	warm white/daylight/cool white	350lm	>80	1-foot	8W T5 Fluorescent Light
LFC2-208	8W	warm white/daylight/cool white	700lm	>80	2-feet	14W T5 Fluorescent Light
LFC2-312	12W	warm white/daylight/cool white	1050lm	>80	3-feet	21W T5 Fluorescent Light
LFC2-416	16W	warm white/daylight/cool white	1400lm	>80	4-feet	28W T5 Fluorescent Light

## Dimension



### AZPAND T5 LED Fitting

#### LFC2-104

1-foot, 300 (L) x 25 (W) x 43 (H) mm

#### LFC2-208

2-feet, 600 (L) x 25 (W) x 43 (H) mm

#### LFC2-312

3-feet, 900 (L) x 25 (W) x 43 (H) mm

#### LFC2-416

4-feet, 1200 (L) x 25 (W) x 43 (H) mm