

**BOX**

**MODULAR**  
**ELSTEEL**  
**ENCLOSURES**



# Industrial Jewellery by **ELSTEEL**

**The double bended edges are gentle to the hands of the panel builder and the end user !**





**Mild Steel box IP 65 - RAL 7035**

**Stainless Steel box IP 66 and IP69K**

**Mild Steel Terminal boxes**

**Stainless Steel Terminal boxes**

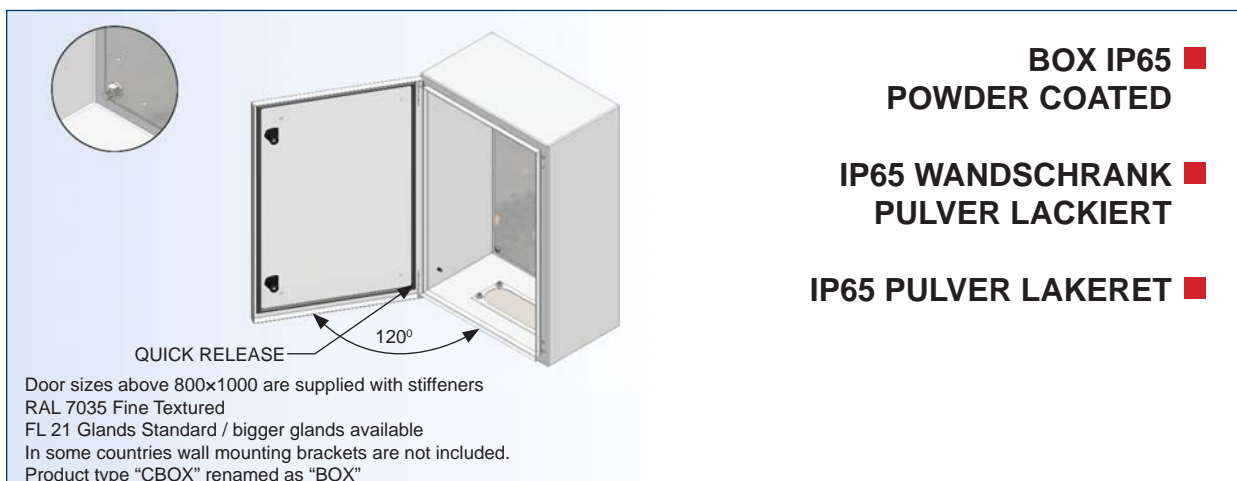
**Doors opens 120°**

**Hinged right or left**

**Vast range of sizes**

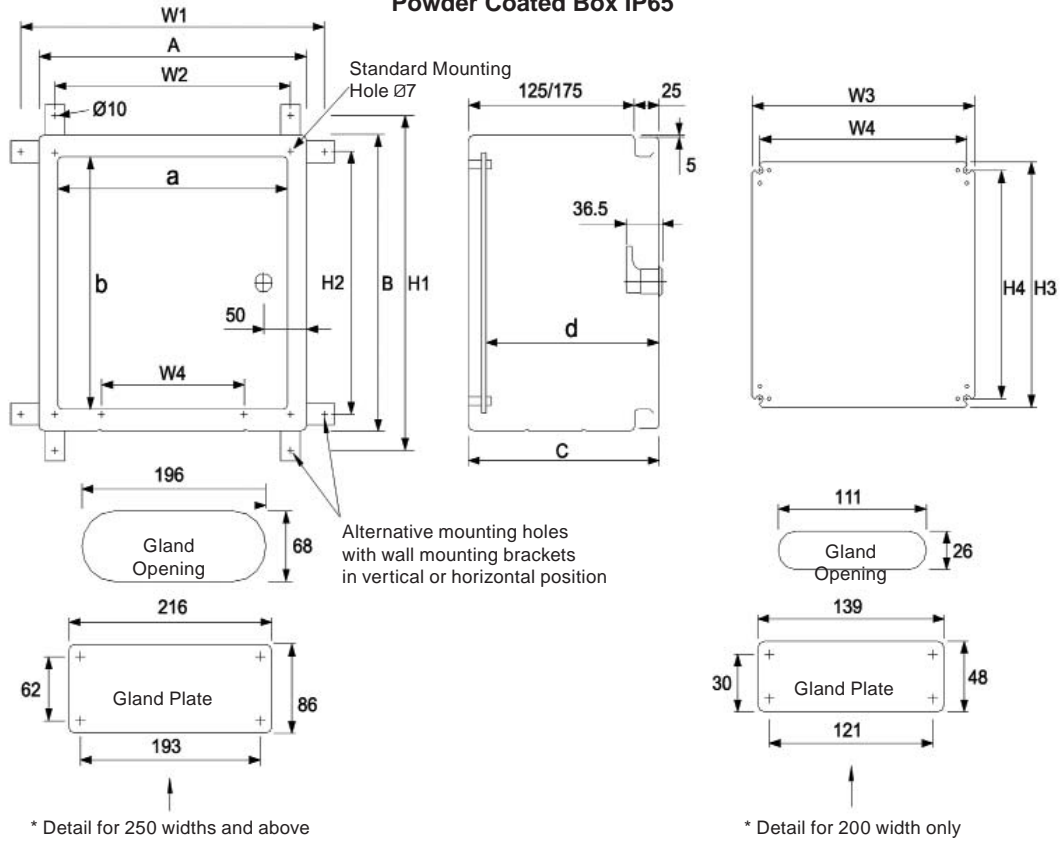
**Vast range of inserts**

**Special colours / Sizes / Holes**

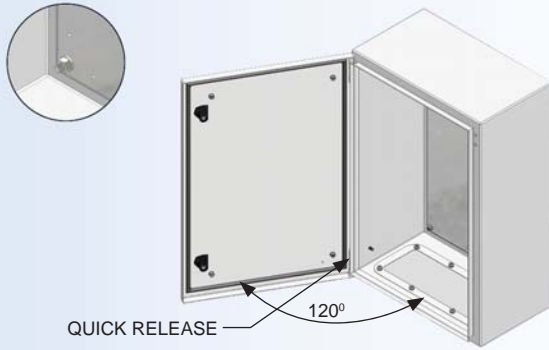


TYPE	SIZE (WIDTH×HEIGHT×DEPTH)	LOCKS	No. OF GLANDS	WEIGHT kg	QTY	ORDER No. RAL 7035 FTF.
BOX 2.2-150	200 x 200 x 150	1	1	2.91	1	55500
BOX 2.3-150	200 x 300 x 150	1	1	3.97	1	55520
BOX 2.5,3-150	250 x 300 x 150	1	1	4.92	1	55550
BOX 3.3-150	300 x 300 x 150	1	1	5.63	1	55580
BOX 3.3-175	300 x 300 x 175	1	1	5.94	1	55590
BOX 3.3-200	300 x 300 x 200	1	1	6.24	1	55600
BOX 3.4-150	300 x 400 x 150	2	1	7.06	1	55610
BOX 3.4-175	300 x 400 x 175	2	1	7.41	1	55620
BOX 3.4-200	300 x 400 x 200	2	1	7.77	1	55630
BOX 3.5-250	300 x 500 x 250	2	1	5.36	1	55670
BOX 4.3-150	400 x 300 x 150	1	1	7.06	1	55680
BOX 4.3-175	400 x 300 x 175	1	1	7.41	1	55690
BOX 4.3-200	400 x 300 x 200	1	1	7.77	1	55700
BOX 4.4-150	400 x 400 x 150	2	1	8.86	1	55710
BOX 4.4-175	400 x 400 x 175	2	1	9.27	1	55720
BOX 4.4-200	400 x 400 x 200	2	1	9.67	1	55730
BOX 4.5-150	400 x 500 x 150	2	1	10.66	1	55740
BOX 4.5-175	400 x 500 x 175	2	1	11.12	1	55750
BOX 4.5-200	400 x 500 x 200	2	1	11.57	1	55760
BOX 4.5-250	400 x 500 x 250	2	1	13.77	1	55770
BOX 4.6-200	400 x 600 x 200	2	1	15.87	1	55810
BOX 4.6-250	400 x 600 x 250	2	1	17.13	1	55820
BOX 4.6-300	400 x 600 x 300	2	1	17.48	1	55830
BOX 4.7-200	400 x 700 x 200	2	1	18.09	1	55860
BOX 5.5-200	500 x 500 x 200	2	1	18.52	1	56000
BOX 5.6-200	500 x 600 x 200	2	1	18.94	1	56040
BOX 5.7-200	500 x 700 x 200	2	1	21.59	1	56060
BOX 5.7-250	500 x 700 x 250	2	1	23.11	1	56070
BOX 6.4-200	600 x 400 x 200	2	2	16.18	1	56150
BOX 6.4-300	600 x 400 x 300	2	2	18.71	1	56170
BOX 6.5-200	600 x 500 x 200	2	2	19.25	1	56180
BOX 6.6-200	600 x 600 x 200	2	2	22.32	1	56190
BOX 6.6-300	600 x 600 x 300	2	2	25.37	1	56210
BOX 6.7-200	600 x 700 x 200	2	2	25.49	1	56220
BOX 6.8-200	600 x 800 x 200	3	2	28.57	1	56230
BOX 6.8-250	600 x 800 x 250	3	2	30.35	1	56240
BOX 6.8-300	600 x 800 x 300	3	2	32.13	1	56250
BOX 6.10-200	600 x 1000 x 200	3	2	34.75	1	56260
BOX 6.10-300	600 x 1000 x 300	3	2	38.81	1	56280
BOX 6.12-200	600 x 1200 x 200	3	2	40.92	1	56290
BOX 8.8-300	800 x 800 x 300	3	2	46.20	1	56390
BOX 8.10-200	800 x 1000 x 200	3	2	44.45	1	56400
BOX 8.10-250	800 x 1000 x 250	3	2	46.73	1	56410
BOX 8.10-300	800 x 1000 x 300	3	2	49.02	1	56430

## MAIN DIMENSIONS Powder Coated Box IP65



TYPE	OVERALL SIZE			OPENING DEPTH			MOUNTING HOLE POSITIONS				MOUNTING PLATE HOLE SIZE				LOCKS	WEIGHT kg	ORDER No. RAL 7035 FTF..
	A	B	C	a	b	d	W1	W2	H1	H2	W3	H3	W4	H4			
BOX 2.2-150	200	200	150	150	150	135	240	160	240	160	148	148	125	125	1	2.91	55500
BOX 2.3-150	200	300	150	150	250	135	240	160	340	260	148	248	125	225	1	3.97	55520
BOX 2.5-3-150	250	300	150	200	250	135	290	210	340	260	198	248	175	225	1	4.92	55550
BOX 3.3-150	300	300	150	250	250	135	340	260	340	260	248	248	225	225	1	5.63	55580
BOX 3.3-175	300	300	175	250	250	160	340	260	340	260	248	248	225	225	1	5.94	55590
BOX 3.3-200	300	300	200	250	250	185	340	260	340	260	248	248	225	225	1	6.24	55600
BOX 3.4-150	300	400	150	250	350	135	340	260	440	360	248	348	225	325	2	7.06	55610
BOX 3.4-175	300	400	175	250	350	160	340	260	440	360	248	348	225	325	2	7.41	55620
BOX 3.4-200	300	400	200	250	350	185	340	260	440	360	248	348	225	325	2	7.77	55630
BOX 3.5-250	300	500	250	250	450	235	340	260	540	460	248	448	225	425	2	5.36	55670
BOX 4.3-150	400	300	150	350	250	135	440	360	340	260	348	248	325	225	1	7.06	55680
BOX 4.3-175	400	300	175	350	250	160	440	360	340	260	348	248	325	225	1	7.41	55690
BOX 4.3-200	400	300	200	350	250	185	440	360	340	260	348	248	325	225	1	7.77	55700
BOX 4.4-150	400	400	150	350	350	135	440	360	440	360	348	348	325	325	2	8.86	55710
BOX 4.4-175	400	400	175	350	350	160	440	360	440	360	348	348	325	325	2	9.27	55720
BOX 4.4-200	400	400	200	350	350	185	440	360	440	360	348	348	325	325	2	9.67	55730
BOX 4.5-150	400	500	150	350	450	135	440	360	540	460	348	448	325	425	2	10.66	55740
BOX 4.5-175	400	500	175	350	450	160	440	360	540	460	348	448	325	425	2	11.12	55750
BOX 4.5-200	400	500	200	350	450	185	440	360	540	460	348	448	325	425	2	11.57	55760
BOX 4.5-250	400	500	250	350	450	235	440	360	540	460	348	448	325	425	2	13.77	55770
BOX 4.6-200	400	600	200	350	550	185	440	360	640	560	348	548	325	525	2	15.87	55810
BOX 4.6-250	400	600	250	350	550	235	440	360	640	560	348	548	325	525	2	17.13	55820
BOX 4.6-300	400	600	300	350	550	285	440	360	640	560	348	548	325	525	2	17.48	55830
BOX 4.7-200	400	700	200	350	650	185	440	360	740	660	348	648	325	625	2	18.09	55860
BOX 5.5-200	500	500	200	450	450	185	540	460	540	460	448	448	425	425	2	18.52	56000
BOX 5.6-200	500	600	200	450	550	185	540	460	640	560	448	548	425	525	2	18.94	56040
BOX 5.7-200	500	700	200	450	650	185	540	460	740	660	448	648	425	625	2	21.59	56060
BOX 5.7-250	500	700	250	450	650	235	540	460	740	660	448	648	425	625	2	23.11	56070
BOX 6.4-200	600	400	200	550	350	185	640	560	440	360	548	348	525	325	2	16.18	56150
BOX 6.4-300	600	400	300	550	350	285	640	560	440	360	548	348	525	325	2	18.71	56170
BOX 6.5-200	600	500	200	550	450	185	640	560	540	460	548	448	525	425	2	19.25	56180
BOX 6.6-200	600	600	200	550	550	185	640	560	640	560	548	548	525	525	2	22.32	56190
BOX 6.6-300	600	600	300	550	550	285	640	560	640	560	548	548	525	525	2	25.37	56210
BOX 6.7-200	600	700	200	550	650	185	640	560	740	660	548	648	525	625	2	25.49	56220
BOX 6.8-200	600	800	200	550	750	185	640	560	840	760	548	748	525	725	3	28.57	56230
BOX 6.8-250	600	800	250	550	750	235	640	560	840	760	548	748	525	725	3	30.35	56240
BOX 6.8-300	600	800	300	550	750	285	640	560	840	760	548	748	525	725	3	32.13	56250
BOX 6.10-200	600	1000	200	550	950	185	640	560	1040	960	548	948	525	925	3	34.75	56260
BOX 6.10-300	600	1000	300	550	950	285	640	560	1040	960	548	948	525	925	3	38.81	56280
BOX 6.12-200	600	1200	200	550	1150	185	640	560	1240	1160	548	1148	525	125	3	40.92	56290
BOX 8.8-300	800	800	300	750	750	285	840	760	840	760	748	748	725	725	3	46.20	56390
BOX 8.10-200	800	1000	200	750	950	185	840	760	1040	960	748	948	725	925	3	44.45	56400
BOX 8.10-250	800	1000	250	750	950	235	840	760	1040	960	748	948	725	925	3	46.73	56410
BOX 8.10-300	800	1000	300	750	950	285	840	760	1040	960	748	948	725	925	3	49.02	56430



**BOX IP65 WITH BIG GLAND ■  
POWDER COATED**

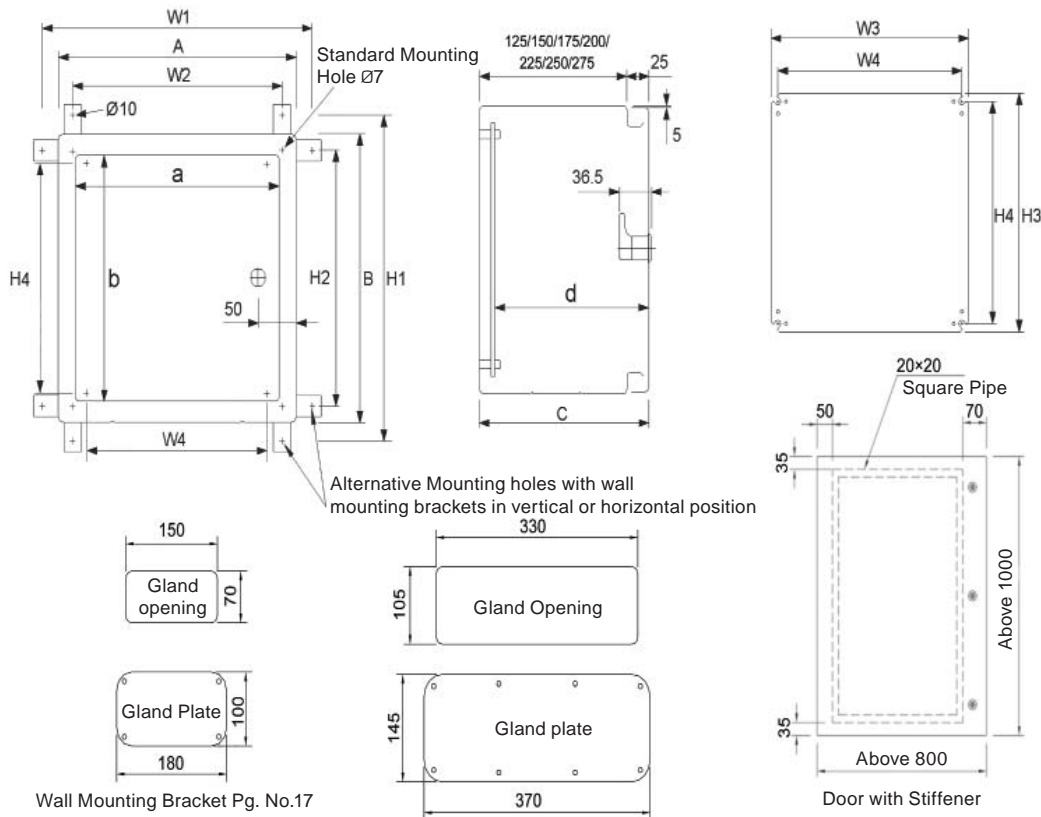
**BOX MIT GROSSE ■  
FLANSCH**

**BOX IP65 MED STOR FLANGE ■  
PULVER LAKERET**

Door sizes above 800x1000 are supplied with stiffeners  
RAL 7035 Fine Textured  
In some countries wall mounting brackets are not included

TYPE	SIZE (WIDTH×HEIGHT×DEPTH)	LOCKS	GLAND OPENING SIZE	No. OF GLANDS	WEIGHT kg	QTY	ORDER No. RAL 7035 FTf..
BOX 4.3-150 BG	400 x 300 x 150	1	150 x 70	2	7.06	1	57680
BOX 4.3-175 BG	400 x 300 x 175	1	150 x 70	2	7.41	1	57690
BOX 4.3-200 BG	400 x 300 x 200	1	330 x 105	1	7.77	1	57700
BOX 4.4-150 BG	400 x 400 x 150	2	150 x 70	2	8.86	1	57710
BOX 4.4-175 BG	400 x 400 x 175	2	150 x 70	2	9.27	1	57720
BOX 4.4-200 BG	400 x 400 x 200	2	330 x 105	1	9.67	1	57730
BOX 4.5-150 BG	400 x 500 x 150	2	150 x 70	2	10.66	1	57740
BOX 4.5-175 BG	400 x 500 x 175	2	150 x 70	2	11.12	1	57750
BOX 4.5-200 BG	400 x 500 x 200	2	330 x 105	1	11.57	1	57760
BOX 4.5-250 BG	400 x 500 x 250	2	330 x 105	1	13.77	1	57770
BOX 4.6-200 BG	400 x 600 x 200	2	330 x 105	1	15.87	1	57810
BOX 4.6-250 BG	400 x 600 x 250	2	330 x 105	1	17.13	1	57820
BOX 4.6-300 BG	400 x 600 x 300	2	330 x 105	1	17.48	1	57830
BOX 4.7-200 BG	400 x 700 x 200	2	330 x 105	1	18.09	1	57860
BOX 5.5-200 BG	500 x 500 x 200	2	330 x 105	1	18.52	1	58000
BOX 5.6-200 BG	500 x 600 x 200	2	330 x 105	1	18.94	1	58040
BOX 5.7-200 BG	500 x 700 x 200	2	330 x 105	1	21.59	1	58060
BOX 5.7-250 BG	500 x 700 x 250	2	330 x 105	1	23.11	1	58070
BOX 6.4-200 BG	600 x 400 x 200	2	330 x 105	1	16.18	1	58150
BOX 6.4-300 BG	600 x 400 x 300	2	330 x 105	1	18.71	1	58170
BOX 6.5-200 BG	600 x 500 x 200	2	330 x 105	1	19.25	1	58180
BOX 6.6-200 BG	600 x 600 x 200	2	330 x 105	1	22.32	1	58190
BOX 6.6-300 BG	600 x 600 x 300	2	330 x 105	1	25.37	1	58210
BOX 6.7-200 BG	600 x 700 x 200	2	330 x 105	1	25.49	1	58220
BOX 6.8-200 BG	600 x 800 x 200	3	330 x 105	1	28.57	1	58230
BOX 6.8-250 BG	600 x 800 x 250	3	330 x 105	1	30.35	1	58240
BOX 6.8-300 BG	600 x 800 x 300	3	330 x 105	1	32.13	1	58250
BOX 6.10-200 BG	600 x 1000 x 200	3	330 x 105	1	34.75	1	58260
BOX 6.10-300 BG	600 x 1000 x 300	3	330 x 105	1	38.81	1	58280
BOX 6.12-200 BG	600 x 1200 x 200	3	330 x 105	1	40.92	1	58290
BOX 8.8-300 BG	800 x 800 x 300	3	330 x 105	2	46.20	1	58390
BOX 8.10-200 BG	800 x 1000 x 200	3	330 x 105	2	44.45	1	58400
BOX 8.10-250 BG	800 x 1000 x 250	3	330 x 105	2	46.73	1	58410
BOX 8.10-300 BG	800 x 1000 x 300	3	330 x 105	2	49.02	1	58430

## MAIN DIMENSIONS Powder Coated Box IP65



Wall Mounting Bracket Pg. No.17

TYPE	OVERALL SIZE			OPENING DEPTH			MOUNTING HOLE POSITIONS				MOUNTING PLATE HOLE SIZE				LOCKS	WEIGHT kg	ORDER No. RAL 7035 FTF..
	A	B	C	a	b	d	W1	W2	H1	H2	W3	H3	W4	H4			
BOX 4.3-150 BG	400	300	150	350	250	135	440	360	340	260	348	248	325	225	1	7.06	57680
BOX 4.3-175 BG	400	300	175	350	250	160	440	360	340	260	348	248	325	225	1	7.41	57690
BOX 4.3-200 BG	400	300	200	350	250	185	440	360	340	260	348	248	325	225	1	7.77	57700
BOX 4.4-150 BG	400	400	150	350	350	135	440	360	440	360	348	348	325	325	2	8.86	57710
BOX 4.4-175 BG	400	400	175	350	350	160	440	360	440	360	348	348	325	325	2	9.27	57720
BOX 4.4-200 BG	400	400	200	350	350	185	440	360	440	360	348	348	325	325	2	9.67	57730
BOX 4.5-150 BG	400	500	150	350	450	135	440	360	540	460	348	448	325	425	2	10.66	57740
BOX 4.5-175 BG	400	500	175	350	450	160	440	360	540	460	348	448	325	425	2	11.12	57750
BOX 4.5-200 BG	400	500	200	350	450	185	440	360	540	460	348	448	325	425	2	11.57	57760
BOX 4.5-250 BG	400	500	250	350	450	235	440	360	540	460	348	448	325	425	2	13.77	57770
BOX 4.6-200 BG	400	600	200	350	550	185	440	360	640	560	348	548	325	525	2	15.87	57810
BOX 4.6-250 BG	400	600	250	350	550	235	440	360	640	560	348	548	325	525	2	17.13	57820
BOX 4.6-300 BG	400	600	300	350	550	285	440	360	640	560	348	548	325	525	2	17.48	57830
BOX 4.7-200 BG	400	700	200	350	650	185	440	360	740	660	348	648	325	625	2	18.09	57860
BOX 5.5-200 BG	500	500	200	450	450	185	540	460	540	460	448	448	425	425	2	18.52	58000
BOX 5.6-200 BG	500	600	200	450	550	185	540	460	640	560	448	548	425	525	2	18.94	58040
BOX 5.7-200 BG	500	700	200	450	650	185	540	460	740	660	448	648	425	625	2	21.59	58060
BOX 5.7-250 BG	500	700	250	450	650	235	540	460	740	660	448	648	425	625	2	23.11	58070
BOX 6.4-200 BG	600	400	200	550	350	185	640	560	440	360	548	348	525	325	2	16.18	58150
BOX 6.4-300 BG	600	400	300	550	350	285	640	560	440	360	548	348	525	325	2	18.71	58170
BOX 6.5-200 BG	600	500	200	550	450	185	640	560	540	460	548	448	525	425	2	19.25	58180
BOX 6.6-200 BG	600	600	200	550	550	185	640	560	640	560	548	548	525	525	2	22.32	58190
BOX 6.6-300 BG	600	600	300	550	550	285	640	560	640	560	548	548	525	525	2	25.37	58210
BOX 6.7-200 BG	600	700	200	550	650	185	640	560	740	660	548	648	525	625	2	25.49	58220
BOX 6.8-200 BG	600	800	200	550	750	185	640	560	840	760	548	748	525	725	3	28.57	58230
BOX 6.8-250 BG	600	800	250	550	750	235	640	560	840	760	548	748	525	725	3	30.35	58240
BOX 6.8-300 BG	600	800	300	550	750	285	640	560	840	760	548	748	525	725	3	32.13	58250
BOX 6.10-200 BG	600	1000	200	550	950	185	640	560	1040	960	548	948	525	925	3	34.75	58260
BOX 6.10-300 BG	600	1000	300	550	950	285	640	560	1040	960	548	948	525	925	3	38.81	58280
BOX 6.12-200 BG	600	1200	200	550	1150	185	640	560	1240	1160	548	1148	525	1125	3	40.92	58290
BOX 8.8-300 BG	800	800	300	750	750	285	840	760	840	760	748	748	725	725	3	46.20	58390
BOX 8.10-200 BG	800	1000	200	750	950	185	840	760	1040	960	748	948	725	925	3	44.45	58400
BOX 8.10-250 BG	800	1000	250	750	950	235	840	760	1040	960	748	948	725	925	3	46.73	58410
BOX 8.10-300 BG	800	1000	300	750	950	285	840	760	1040	960	748	948	725	925	3	49.02	58430



**COMBI RAILS ■**

**COMBI SCHIENEN ■**

**KOMBI SKINNER ■**

TYPE	DESCRIPTION	SIZE (W×H)	WEIGHT kg	QTY	ORDER No. RAL 7035 FTf..
CR 2.2	COMBI RAILS	200 × 200	0.49	1 SET	54300
CR 2.3	COMBI RAILS	200 × 300	0.63	1 SET	54310
CR 2.5.3	COMBI RAILS	250 × 300	0.70	1 SET	54320
CR 3.3	COMBI RAILS	300 × 300	0.77	1 SET	54330
CR 3.4	COMBI RAILS	300 × 400	0.92	1 SET	54340
CR 4.3	COMBI RAILS	400 × 300	0.92	1 SET	54350
CR 4.4	COMBI RAILS	400 × 400	1.06	1 SET	54360
CR 4.5	COMBI RAILS	400 × 500	1.20	1 SET	54370
CR 4.6	COMBI RAILS	400 × 600	1.35	1 SET	54380
CR 5.6	COMBI RAILS	500 × 600	1.49	1 SET	54390
CR 5.7	COMBI RAILS	500 × 700	1.63	1 SET	54400
CR 6.4	COMBI RAILS	600 × 400	1.35	1 SET	54410
CR 6.5	COMBI RAILS	600 × 500	1.49	1 SET	54420
CR 6.6	COMBI RAILS	600 × 600	1.63	1 SET	54430
CR 6.7	COMBI RAILS	600 × 700	1.77	1 SET	54440
CR 6.8	COMBI RAILS	600 × 800	1.92	1 SET	54450
CR 6.10	COMBI RAILS	600 × 1000	2.20	1 SET	54460
CR 8.8	COMBI RAILS	800 × 800	2.20	1 SET	54470
CR 8.10	COMBI RAILS	800 × 1000	2.49	1 SET	54480



**CHASSIS PROFILE FOR ■  
INSERTS**

**RAHMEN FÜR EINSÄTZE ■**

**RAMME FOR INDSATSE ■**

TYPE	DESCRIPTION	MODULAR SIZE (H)	WEIGHT kg	QTY	ORDER No.
CPDB 200	CHASSIS PROFILE FOR INSERT	200	0.3	1 SET	65250
CPDB 400	CHASSIS PROFILE FOR INSERT	400	1.1	1 SET	65251
CPDB 600	CHASSIS PROFILE FOR INSERT	600	2.3	1 SET	65252
CPDB 800	CHASSIS PROFILE FOR INSERT	800	2.5	1 SET	65253
CPDB 1000	CHASSIS PROFILE FOR INSERT	1000	2.8	1 SET	65254
CPDB 1200	CHASSIS PROFILE FOR INSERT	1200	3.1	1 SET	65255
CPDB 1400	CHASSIS PROFILE FOR INSERT	1400	3.3	1 SET	65256
CPDB 1600	CHASSIS PROFILE FOR INSERT	1600	4.2	1 SET	65257
CPDB 1800	CHASSIS PROFILE FOR INSERT	1800	4.6	1 SET	65258
CPDB 2000	CHASSIS PROFILE FOR INSERT	2000	5.1	1 SET	65259



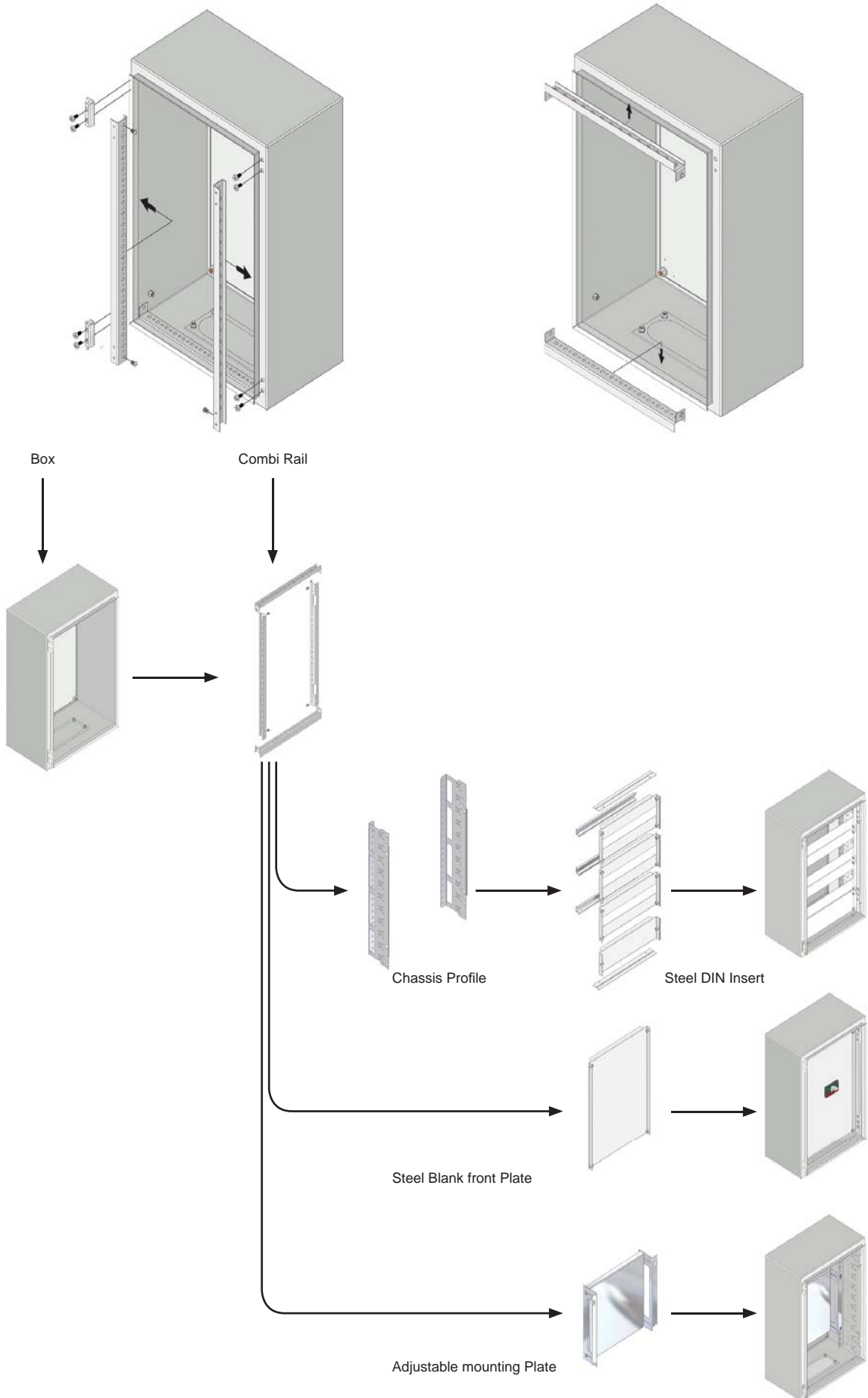
**TOP & BOTTOM PROFILE ■**

**OBEN UND UNTEREN RAHMEN ■**

**TOP OG BUND RAMME ■**

TYPE	DESCRIPTION	MODULAR SIZE (W)	WEIGHT kg	QTY	ORDER NO.
TBPDB 300	TOP & BOTTOM PROFILE	300	0.21	1 SET	65265
TBPDB 400	TOP & BOTTOM PROFILE	400	0.30	1 SET	65266
TBPDB 500	TOP & BOTTOM PROFILE	500	0.40	1 SET	65267
TBPDB 600	TOP & BOTTOM PROFILE	600	0.51	1 SET	65268







**ADJUSTABLE MOUNTING PLATE ■**

**JUSTIERBARE MONTAGE PLATTE ■**

**MONTAGEPLADE ■**

TYPE	DESCRIPTION	UNITS	MOUNTING PLATE SIZE (W×H)	WEIGHT kg	QTY	ORDER No.
AMDB 3.15	ADJUSTABLE MOUNTING PLATE	300×150	185×150	0.62	1	65430
AMDB 3.20	ADJUSTABLE MOUNTING PLATE	300×200	185×200	0.82	1	65431
AMDB 3.30	ADJUSTABLE MOUNTING PLATE	300×300	185×300	1.12	1	65432
AMDB 3.45	ADJUSTABLE MOUNTING PLATE	300×450	185×450	1.68	1	65434
AMDB 4.15	ADJUSTABLE MOUNTING PLATE	400×150	285×150	0.75	1	65400
AMDB 4.20	ADJUSTABLE MOUNTING PLATE	400×200	285×200	1.09	1	65401
AMDB 4.30	ADJUSTABLE MOUNTING PLATE	400×300	285×300	1.50	1	65405
AMDB 4.45	ADJUSTABLE MOUNTING PLATE	400×450	285×450	2.25	1	65410
AMDB 5.15	ADJUSTABLE MOUNTING PLATE	500×150	385×150	0.92	1	65436
AMDB 5.20	ADJUSTABLE MOUNTING PLATE	500×200	385×200	1.36	1	65437
AMDB 5.30	ADJUSTABLE MOUNTING PLATE	500×300	385×300	1.85	1	65438
AMDB 5.45	ADJUSTABLE MOUNTING PLATE	500×450	385×450	2.78	1	65440
AMDB 6.15	ADJUSTABLE MOUNTING PLATE	600×150	485×150	1.25	1	65415
AMDB 6.20	ADJUSTABLE MOUNTING PLATE	600×200	485×200	1.63	1	65416
AMDB 6.30	ADJUSTABLE MOUNTING PLATE	600×300	485×300	2.23	1	65420
AMDB 6.45	ADJUSTABLE MOUNTING PLATE	600×450	485×450	3.21	1	65425

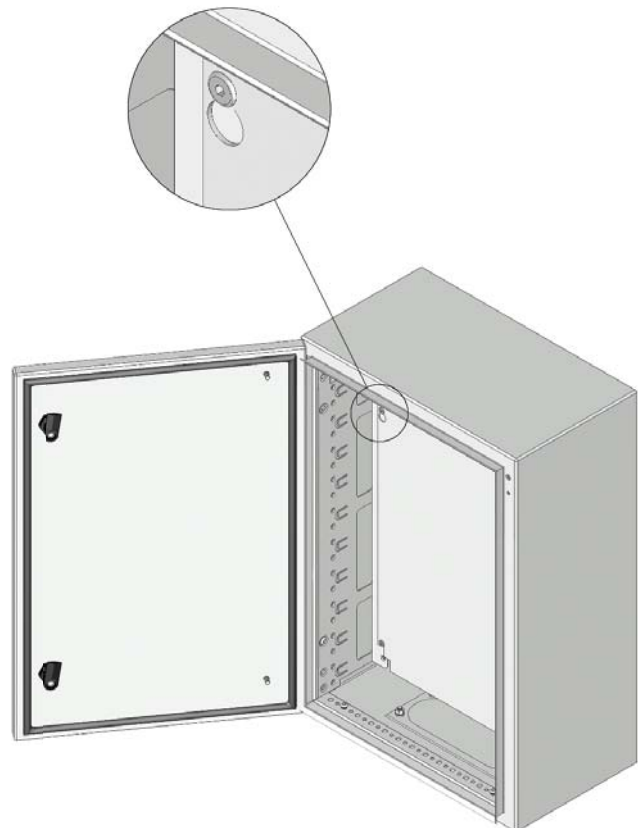
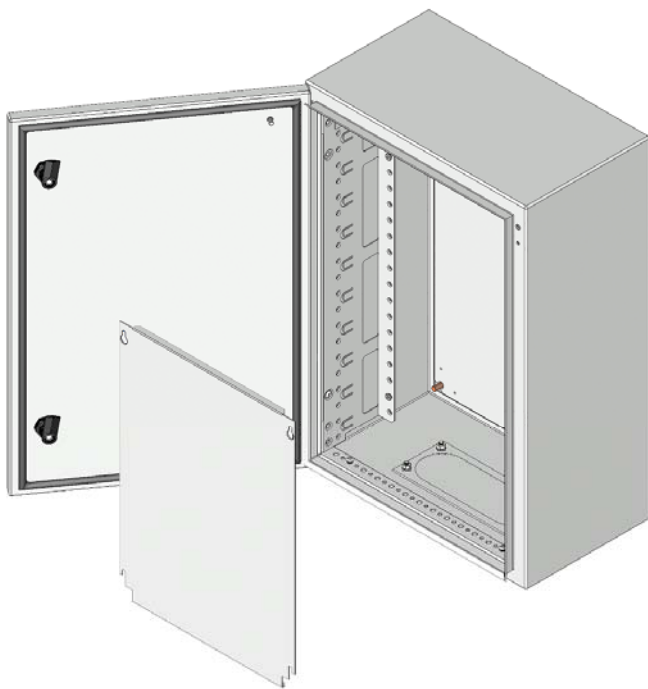
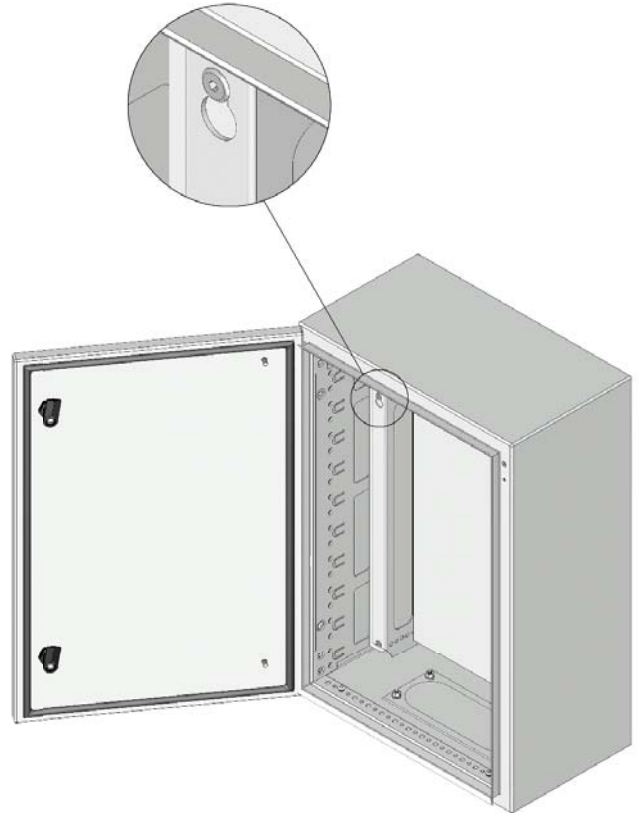
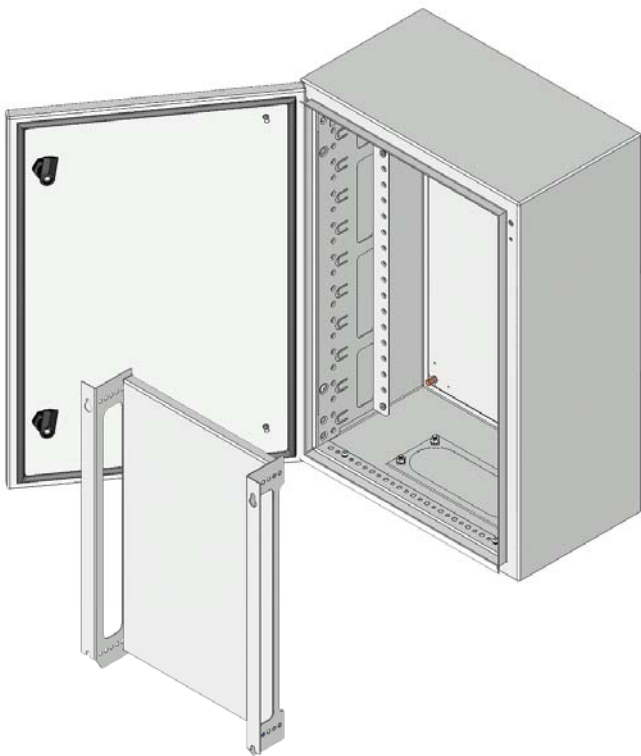


**FIXED TYPE MOUNTING PLATE ■**

**MONTAGEPLATTE ■**

**FAST MONTAGEPLADE ■**

TYPE	DESCRIPTION	SIZE (W×H)	WEIGHT kg	QTY	ORDER No.
FMDB 3.15	FIXED TYPE MOUNTING PLATE	300×150	0.40	1	65600
FMDB 3.20	FIXED TYPE MOUNTING PLATE	300×200	0.53	1	65601
FMDB 3.30	FIXED TYPE MOUNTING PLATE	300×300	0.81	1	65602
FMDB 3.45	FIXED TYPE MOUNTING PLATE	300×450	1.22	1	65604
FMDB 3.60	FIXED TYPE MOUNTING PLATE	300×600	1.63	1	65606
FMDB 4.15	FIXED TYPE MOUNTING PLATE	400×150	0.62	1	65608
FMDB 4.20	FIXED TYPE MOUNTING PLATE	400×200	0.82	1	65609
FMDB 4.30	FIXED TYPE MOUNTING PLATE	400×300	1.25	1	65610
FMDB 4.45	FIXED TYPE MOUNTING PLATE	400×450	1.71	1	65612
FMDB 4.60	FIXED TYPE MOUNTING PLATE	400×600	2.50	1	65614
FMDB 5.15	FIXED TYPE MOUNTING PLATE	500×150	0.78	1	65616
FMDB 5.20	FIXED TYPE MOUNTING PLATE	500×200	1.04	1	65617
FMDB 5.30	FIXED TYPE MOUNTING PLATE	500×300	1.56	1	65618
FMDB 5.45	FIXED TYPE MOUNTING PLATE	500×450	2.34	1	65620
FMDB 5.60	FIXED TYPE MOUNTING PLATE	500×600	3.12	1	65622
FMDB 6.15	FIXED TYPE MOUNTING PLATE	600×150	0.98	1	65624
FMDB 6.20	FIXED TYPE MOUNTING PLATE	600×200	1.30	1	65625
FMDB 6.30	FIXED TYPE MOUNTING PLATE	600×300	1.96	1	65626
FMDB 6.45	FIXED TYPE MOUNTING PLATE	600×450	2.94	1	65628
FMDB 6.60	FIXED TYPE MOUNTING PLATE	600×600	3.93	1	65630



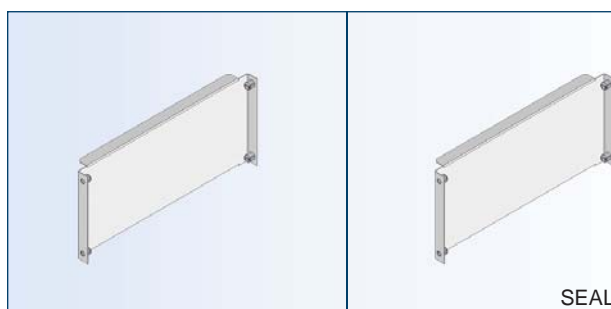


**DIN INSERT** ■

**DIN EINSATS** ■

**DIN INDSATS** ■

TYPE	DESCRIPTION	UNITS	SIZE (W×H)	WEIGHT kg	QTY	ORDER No.
SDDB 3.15	DIN INSERT	12	300 × 150	0.40	1SET	65305
SDDB 3.20	DIN INSERT	12	300 × 200	0.52	1SET	65315
SDDB 4.15	DIN INSERT	18	400 × 150	0.51	1SET	65300
SDDB 4.20	DIN INSERT	18	400 × 200	0.75	1SET	65310
SDDB 5.15	DIN INSERT	23	500 × 150	0.67	1SET	65325
SDDB 5.20	DIN INSERT	23	500 × 200	0.86	1SET	65335
SDDB 6.15	DIN INSERT	29	600 × 150	0.83	1SET	65320
SDDB 6.20	DIN INSERT	29	600 × 200	1.04	1SET	65330



**BLANK FRONT PLATE** ■

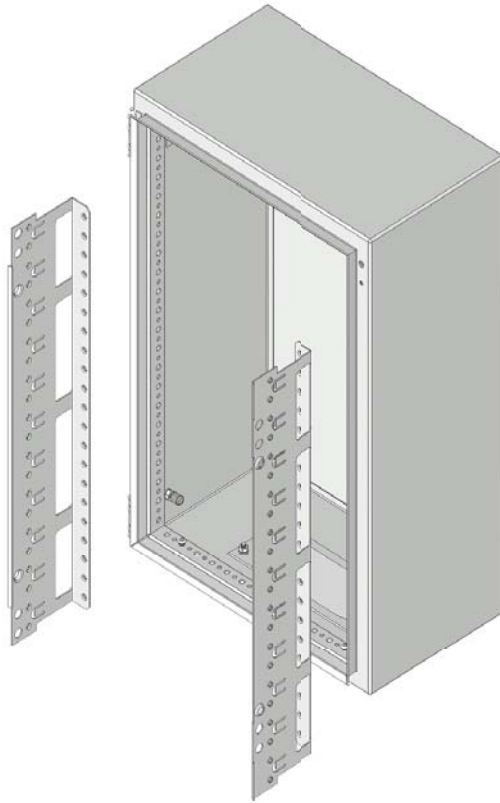
**ABDECKNING** ■

**AFDÆKNING** ■

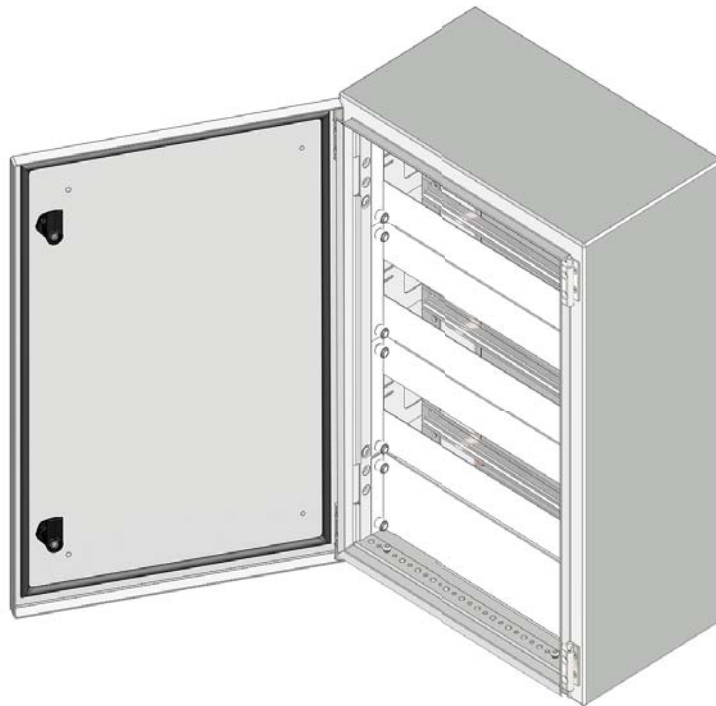
SEAL TYPE

TYPE	DESCRIPTION	SIZE (W×H)	WEIGHT kg	QTY	ORDER No.	ORDER No. SEAL TYPE
BFDB 3.5	BLANK FRONT PLATE	300 × 50	0.13	1	65543	-
BFDB 3.10	BLANK FRONT PLATE	300 × 100	0.26	1	65544	-
BFDB 3.15	BLANK FRONT PLATE	300 × 150	0.39	1	65545	65547
BFDB 3.20	BLANK FRONT PLATE	300 × 200	0.52	1	65546	65548
BFDB 3.30	BLANK FRONT PLATE	300 × 300	0.83	1	65550	65552
BFDB 3.45	BLANK FRONT PLATE	300 × 450	1.17	1	65555	65557
BFDB 3.60	BLANK FRONT PLATE	300 × 600	1.56	1	65560	65562
BFDB 4.5	BLANK FRONT PLATE	400 × 50	0.19	1	65498	-
BFDB 4.10	BLANK FRONT PLATE	400 × 100	0.37	1	65499	-
BFDB 4.15	BLANK FRONT PLATE	400 × 150	0.56	1	65500	65502
BFDB 4.20	BLANK FRONT PLATE	400 × 200	0.69	1	65501	65503
BFDB 4.30	BLANK FRONT PLATE	400 × 300	1.02	1	65505	65507
BFDB 4.45	BLANK FRONT PLATE	400 × 450	1.53	1	65510	65512
BFDB 4.60	BLANK FRONT PLATE	400 × 600	2.05	1	65515	65517
BFDB 5.5	BLANK FRONT PLATE	500 × 50	0.23	1	65563	-
BFDB 5.10	BLANK FRONT PLATE	500 × 100	0.46	1	65564	-
BFDB 5.15	BLANK FRONT PLATE	500 × 150	0.69	1	65565	-
BFDB 5.20	BLANK FRONT PLATE	500 × 200	0.86	1	65566	-
BFDB 5.30	BLANK FRONT PLATE	500 × 300	1.28	1	65570	-
BFDB 5.45	BLANK FRONT PLATE	500 × 450	2.08	1	65575	-
BFDB 5.60	BLANK FRONT PLATE	500 × 600	2.78	1	65580	-
BFDB 6.5	BLANK FRONT PLATE	600 × 50	0.25	1	65518	-
BFDB 6.10	BLANK FRONT PLATE	600 × 100	0.51	1	65519	-
BFDB 6.15	BLANK FRONT PLATE	600 × 150	0.76	1	65520	-
BFDB 6.20	BLANK FRONT PLATE	600 × 200	1.03	1	65521	-
BFDB 6.30	BLANK FRONT PLATE	600 × 300	1.56	1	65525	-
BFDB 6.45	BLANK FRONT PLATE	600 × 450	2.29	1	65530	-
BFDB 6.60	BLANK FRONT PLATE	600 × 600	3.06	1	65535	-


①

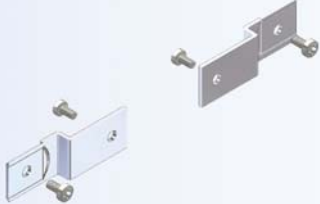


②





For more options please see the Techno module light brochure or [www.elsteel.com](http://www.elsteel.com)

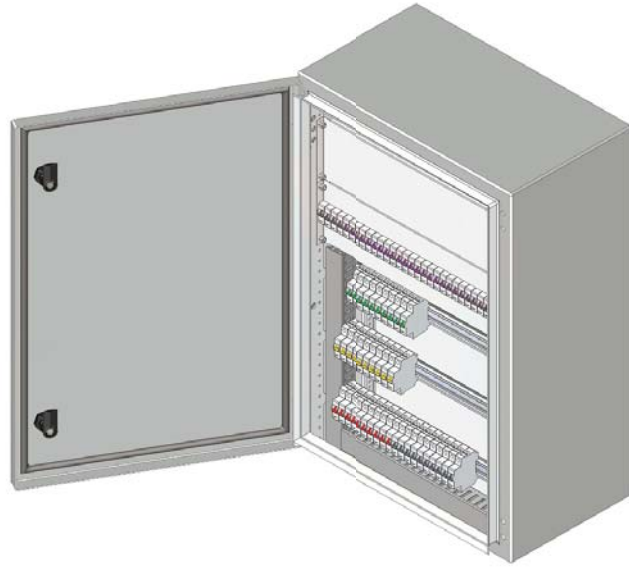
		<p><b>FULL LENGTH DIN RAIL ■</b></p> <p><b>GANZE DIN SCHIENE ■</b></p> <p><b>HEL LÆNGDE DIN SKINNE ■</b></p>													
		<table border="1"> <thead> <tr> <th>TYPE</th> <th>DESCRIPTION</th> <th>LENGTH (M)</th> <th>QTY</th> <th>ORDER No.</th> </tr> </thead> <tbody> <tr> <td>ALDR 2</td> <td>DIN RAIL</td> <td>2</td> <td>1</td> <td>65350</td> </tr> <tr> <td>ALDR 4</td> <td>DIN RAIL</td> <td>4</td> <td>1</td> <td>65351</td> </tr> </tbody> </table>	TYPE	DESCRIPTION	LENGTH (M)	QTY	ORDER No.	ALDR 2	DIN RAIL	2	1	65350	ALDR 4	DIN RAIL	4
TYPE	DESCRIPTION	LENGTH (M)	QTY	ORDER No.											
ALDR 2	DIN RAIL	2	1	65350											
ALDR 4	DIN RAIL	4	1	65351											

		<p><b>BRACKET FOR DIN RAIL ■</b></p> <p><b>BESCHLÄGE FÜR DIN RAIL ■</b></p> <p><b>BESLAG FOR DIN SKINNE ■</b></p>								
		<table border="1"> <thead> <tr> <th>TYPE</th> <th>DESCRIPTION</th> <th>WEIGHT kg</th> <th>QTY</th> <th>ORDER No.</th> </tr> </thead> <tbody> <tr> <td>BCDB</td> <td>BRACKET FOR DIN RAIL</td> <td>0.06</td> <td>1 SET</td> <td>655591</td> </tr> </tbody> </table>	TYPE	DESCRIPTION	WEIGHT kg	QTY	ORDER No.	BCDB	BRACKET FOR DIN RAIL	0.06
TYPE	DESCRIPTION	WEIGHT kg	QTY	ORDER No.						
BCDB	BRACKET FOR DIN RAIL	0.06	1 SET	655591						

		<p><b>ADJUSTABLE ■</b></p> <p><b>DIN RAIL BRACKET</b></p> <p><b>JUSTERBAR DIN ■</b></p> <p><b>BESLAG</b></p>								
		<table border="1"> <thead> <tr> <th>TYPE</th> <th>DESCRIPTION</th> <th>WEIGHT kg</th> <th>QTY</th> <th>ORDER No.</th> </tr> </thead> <tbody> <tr> <td>ADRB</td> <td>ADJUSTABLE DIN RAIL BRACKET</td> <td>0.14</td> <td>1 SET</td> <td>65592</td> </tr> </tbody> </table>	TYPE	DESCRIPTION	WEIGHT kg	QTY	ORDER No.	ADRB	ADJUSTABLE DIN RAIL BRACKET	0.14
TYPE	DESCRIPTION	WEIGHT kg	QTY	ORDER No.						
ADRB	ADJUSTABLE DIN RAIL BRACKET	0.14	1 SET	65592						

		<p><b>DIN RAIL WITH ■</b></p> <p><b>FIXING BRACKETS 600</b></p>								
		<table border="1"> <thead> <tr> <th>TYPE</th> <th>DESCRIPTION</th> <th>WEIGHT kg</th> <th>QTY</th> <th>ORDER No.</th> </tr> </thead> <tbody> <tr> <td>BCDB 6</td> <td>DIN RAIL WITH FIXING BRACKETS 600</td> <td>0.22</td> <td>1 SET</td> <td>65594</td> </tr> </tbody> </table>	TYPE	DESCRIPTION	WEIGHT kg	QTY	ORDER No.	BCDB 6	DIN RAIL WITH FIXING BRACKETS 600	0.22
TYPE	DESCRIPTION	WEIGHT kg	QTY	ORDER No.						
BCDB 6	DIN RAIL WITH FIXING BRACKETS 600	0.22	1 SET	65594						

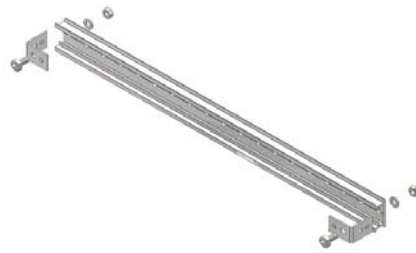
		<p><b>DIN RAIL WITH ADJUSTABLE ■</b></p> <p><b>FIXING BRACKETS 600</b></p>								
		<table border="1"> <thead> <tr> <th>TYPE</th> <th>DESCRIPTION</th> <th>WEIGHT kg</th> <th>QTY</th> <th>ORDER No.</th> </tr> </thead> <tbody> <tr> <td>ADRB 6</td> <td>DIN RAIL WITH ADJUSTABLE FIXING BRACKETS 600</td> <td>0.31</td> <td>1 SET</td> <td>65595</td> </tr> </tbody> </table>	TYPE	DESCRIPTION	WEIGHT kg	QTY	ORDER No.	ADRB 6	DIN RAIL WITH ADJUSTABLE FIXING BRACKETS 600	0.31
TYPE	DESCRIPTION	WEIGHT kg	QTY	ORDER No.						
ADRB 6	DIN RAIL WITH ADJUSTABLE FIXING BRACKETS 600	0.31	1 SET	65595						



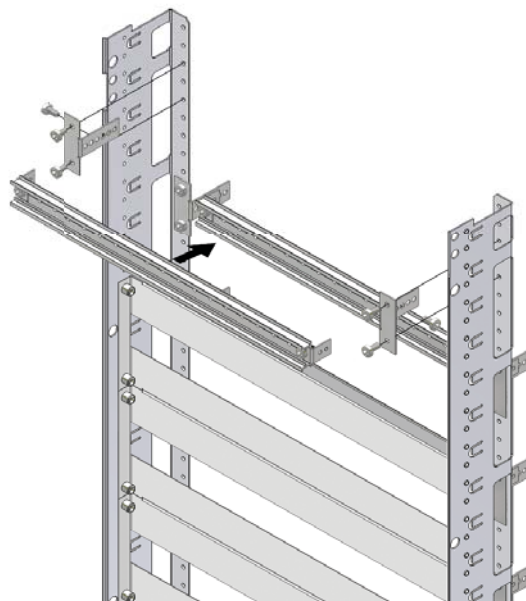
①

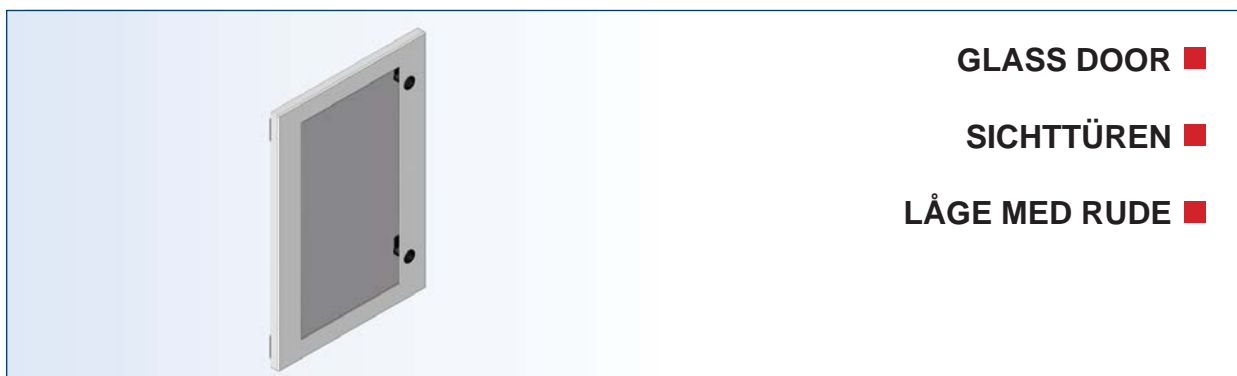


②



③





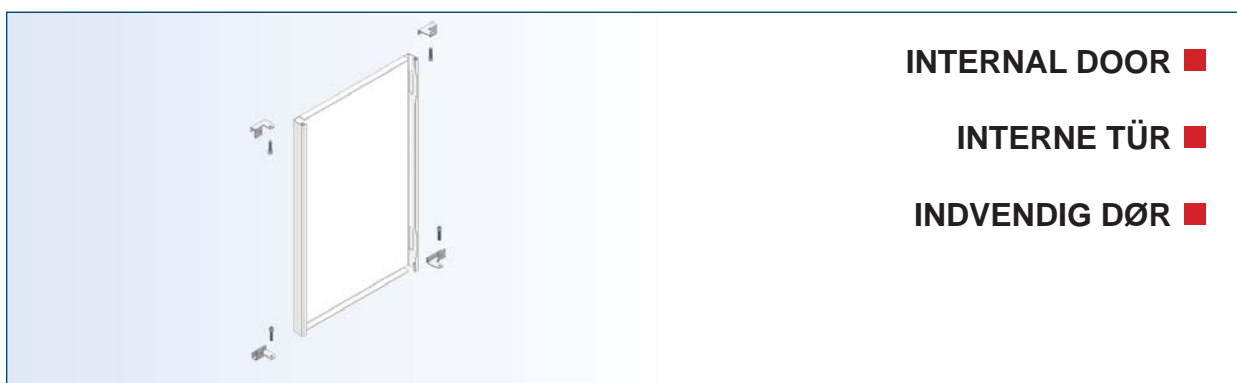
**GLASS DOOR ■**

**SICHTTÜREN ■**

**LÅGE MED RUDE ■**

TYPE	DESCRIPTION	SIZE (W×H)	WEIGHT kg	QTY	ORDER No.
BGD 4.2 V2	GLASS DOOR V2	400 × 200	1.20	1	51900
BGD 4.4 V2	GLASS DOOR V2	400 × 400	2.27	1	51910
BGD 4.6 V2	GLASS DOOR V2	400 × 600	4.04	1	51920
BGD 6.2 V2	GLASS DOOR V2	600 × 200	2.10	1	51930
BGD 6.4 V2	GLASS DOOR V2	600 × 400	3.94	1	51940
BGD 6.6 V2	GLASS DOOR V2	600 × 600	5.77	1	51950
BGD 6.8 V2	GLASS DOOR V2	600 × 800	7.61	1	51960

Other sizes on request



**INTERNAL DOOR ■**

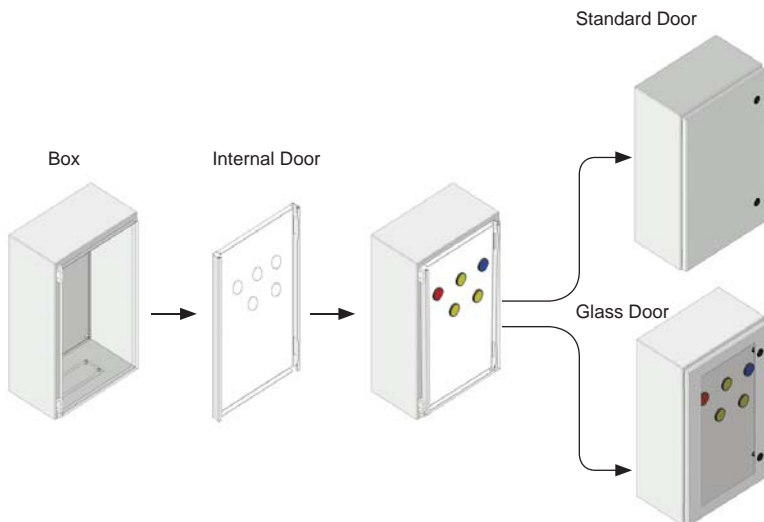
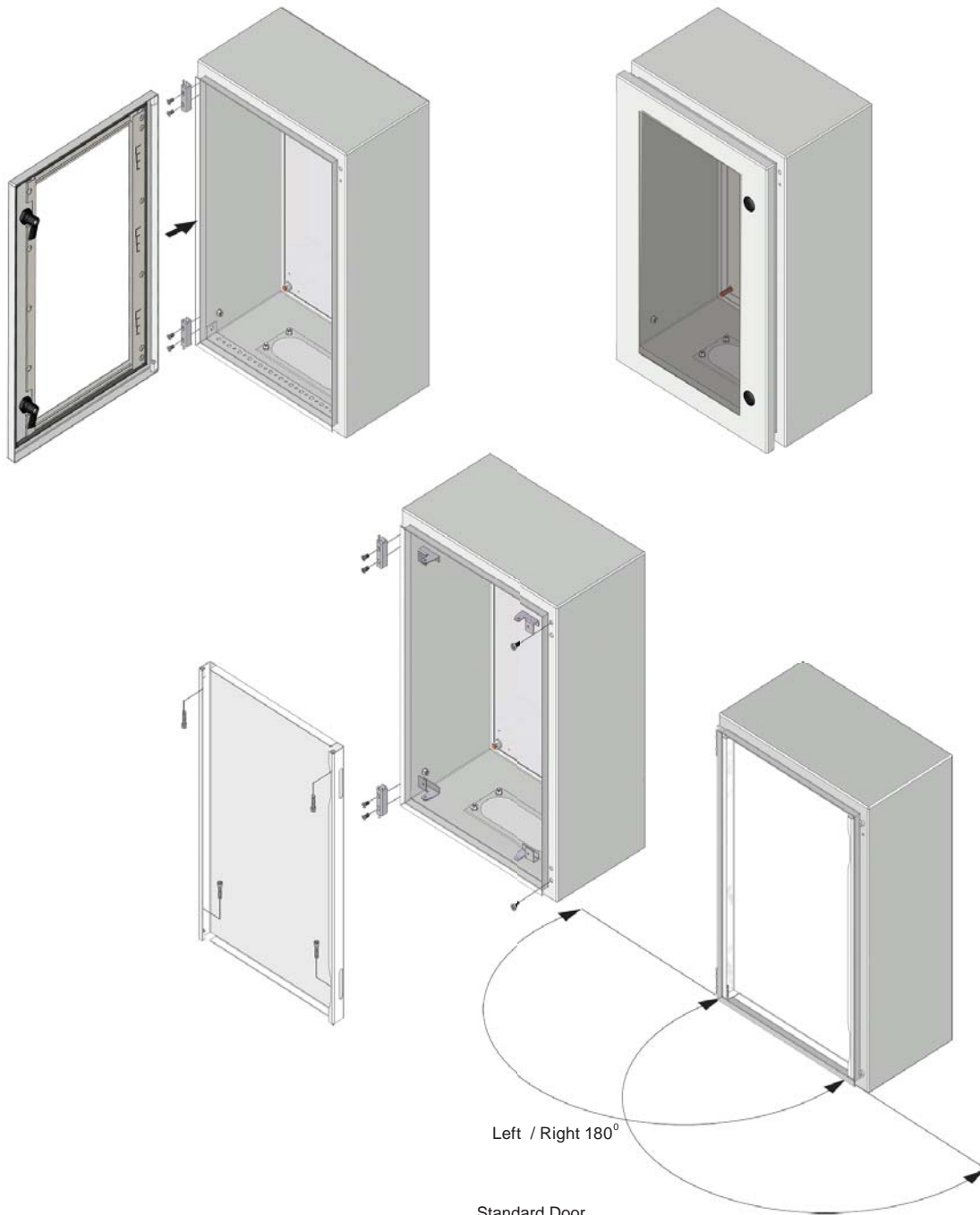
**INTERNE TÜR ■**

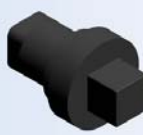
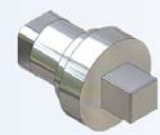

**INDVENDIG DØR ■**


TYPE	DESCRIPTION	SIZE (W×H)	WEIGHT kg	QTY	ORDER No.
ID 3.3	INTERNAL DOOR	300 × 300	1.24	1 SET	52515
ID 3.4	INTERNAL DOOR	300 × 400	1.67	1 SET	52520
ID 3.5	INTERNAL DOOR	300 × 500	2.09	1 SET	52525
ID 4.3	INTERNAL DOOR	400 × 300	1.62	1 SET	52530
ID 4.4	INTERNAL DOOR	400 × 400	2.18	1 SET	52535
ID 4.5	INTERNAL DOOR	400 × 500	2.74	1 SET	52540
ID 4.6	INTERNAL DOOR	400 × 600	3.30	1 SET	52545
ID 4.7	INTERNAL DOOR	400 × 700	3.86	1 SET	52550
ID 5.6	INTERNAL DOOR	500 × 600	4.07	1 SET	52555
ID 5.7	INTERNAL DOOR	500 × 700	4.77	1 SET	52560
ID 6.4	INTERNAL DOOR	600 × 400	3.19	1 SET	52565
ID 6.5	INTERNAL DOOR	600 × 500	4.02	1 SET	52570
ID 6.6	INTERNAL DOOR	600 × 600	4.85	1 SET	52575
ID 6.7	INTERNAL DOOR	600 × 700	5.68	1 SET	52580
ID 6.8	INTERNAL DOOR	600 × 800	6.51	1 SET	52585


Other sizes on request





			<b>SQUARE LOCK INSERT ■</b> <b>TRIANGLE INSERT ■</b> <b>VIERECK - VERSCHLUSS ■</b> <b>DREIECK - VERSCHLUSS ■</b> <b>FIRKANT INDSATS ■</b> <b>TREKANTS INDSATS ■</b>			
SQUARE 8x8mm	SQUARE 6x6mm STEEL	TRIANGLE				
TYPE	DESCRIPTION	WEIGHT kg	QTY	ORDER No. Polyamide black	ORDER No. Stainless steel	
SQI 8	SQUARE 8mm	0.02	1	12123	12125	
SQI 6	SQUARE 6mm (Zinc Die Chrome Plated)	0.12	1	-	12127	
TRI	TRIANGULAR 8mm	0.03	1	12124	12126	

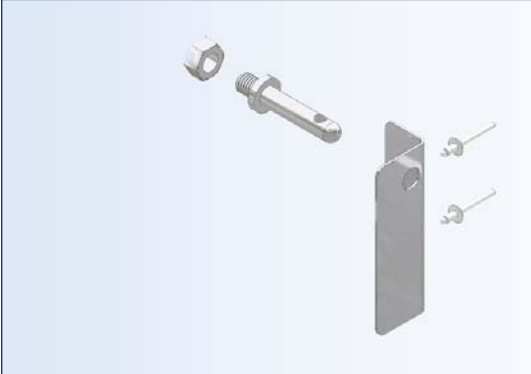
	<b>KNOB LOCK ■</b> <b>HAND VERSCHLUSS ■</b> <b>HÅND LUKKE TØJ ■</b>				
KNOB LOCK					
TYPE	DESCRIPTION	WEIGHT kg	QTY	ORDER No. Polyamide black	
KL	KNOB LOCK	0.025	1	12120	

	<b>T - HANDLE LOCK ■</b> <b>T - HAND VERSCHLUSS ■</b> <b>T - HÅNDTAG MED LÅG ■</b>					
TYPE	DESCRIPTION	WEIGHT kg	QTY	ORDER NO. Non locking	ORDER No. Keyed alike	ORDER No. Keyed different
THLC	T-HANDLE LOCK - Chrome plated	0.16	1	12130	12131	12132
THLB	T-HANDLE LOCK - Polyamide black	0.1	1	12135	12136	12137

	<b>KEY LOCK ■</b> <b>SCHLUSSEL VERSCHLUSH ■</b> <b>NØGLE LÅS ■</b>					
TYPE	DESCRIPTION	WEIGHT kg	QTY	ORDER No. Keyed alike	ORDER No. Keyed different	
KELS	KEY LOCK - Steel	0.05	1	12140	12141	
KELP	KEY LOCK - Plastic	0.04	1	12143	12144	

	<b>BOX LOCK COVER ■</b> <b>WANDSCHRANK-SCHLIESS- VORRICHTUNG ■</b> <b>HÆNGELÅS BESLAG ■</b>					
TYPE	DESCRIPTION	WEIGHT kg	QTY	ORDER No.		
BCOV	BOX LOCK COVER	0.06	1	52303		





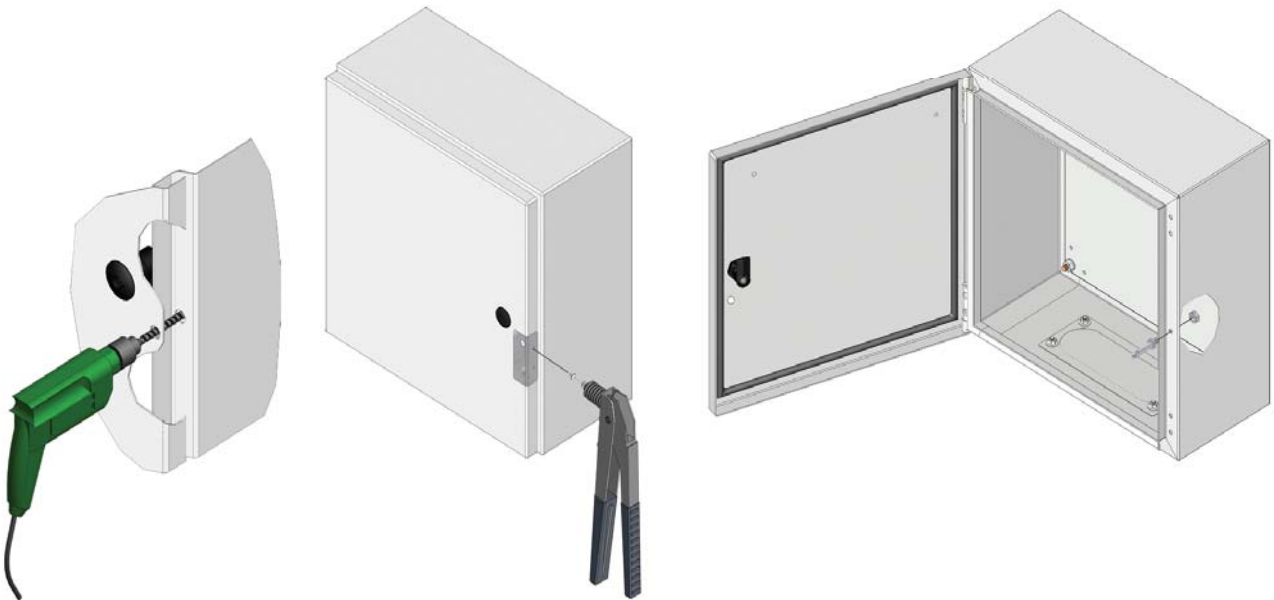
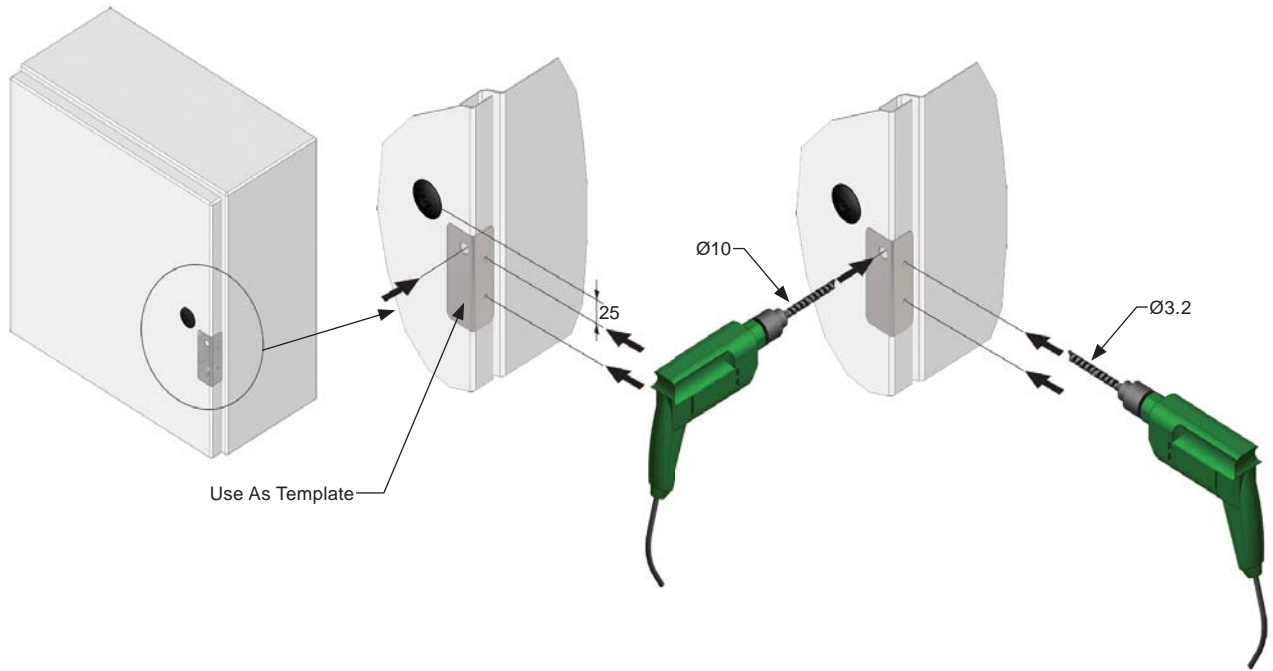
**PADLOCK KIT ■**  
**EINHÄNGESCHLOSS ■**  
**HÆNGELÅS BESLAG ■**


TYPE	DESCRIPTION	WEIGHT kg	QTY	ORDER No.
PLK	STAINLESS STEEL PAD LOCK KIT	0.45	1 SET	52300



**DOOR SEAL SYSTEM ■**  
**SCHLIESSVORRICHTUNG ■**  
**PLOMBIERBAR**  
**PLOMBERINGS SÆT ■**

TYPE	DESCRIPTION	WEIGHT kg	QTY	ORDER No.
DSES	DOOR SEAL SYSTEM	0.1	1 SET	30855






LIGHT DUTY

**BOX DOOR STAY ■**

**TÜR HÄLTER ■**

**DØR HOLDER ■**




HEAVY DUTY

TYPE	DESCRIPTION	DOOR WIDTH	LOAD	WEIGHT kg	QTY	ORDER No.
BDSL 3	BOX DOOR STAY - LIGHT DUTY	300	100 N	0.28	1 SET	52100
BDSL 4	BOX DOOR STAY - LIGHT DUTY	400	100 N	0.34	1 SET	52102
BDSL 5	BOX DOOR STAY - LIGHT DUTY	500	100 N	0.39	1 SET	52104
BDSL 6	BOX DOOR STAY - LIGHT DUTY	600	100 N	0.45	1 SET	52106
BDSL 8	BOX DOOR STAY - LIGHT DUTY	800	100 N	0.57	1 SET	52108
BDSL 10	BOX DOOR STAY - LIGHT DUTY	1000	100 N	0.69	1 SET	52110
BDSH 6	BOX DOOR STAY - HEAVY DUTY	600	150 N	0.45	1 SET	52120
BDSH 8	BOX DOOR STAY - HEAVY DUTY	800	150 N	0.57	1 SET	52122
BDSH 10	BOX DOOR STAY - HEAVY DUTY	1000	150 N	0.70	1 SET	52124

#### SELECTION GUIDE

BOX HEIGHT	QTY
400	01
600	01
800	02
1000	02
1200	02

Can be use with MS and SS boxes

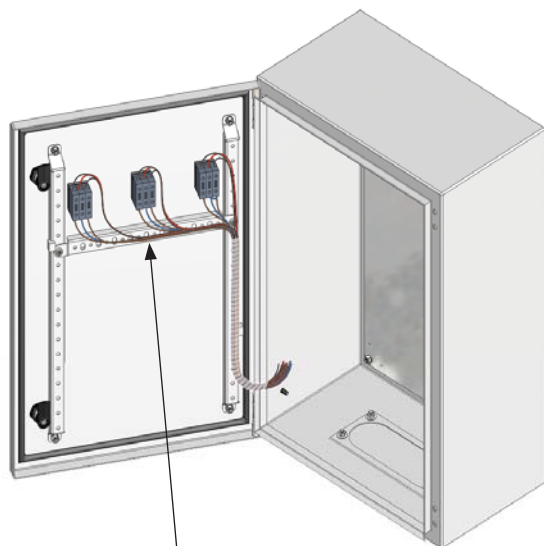
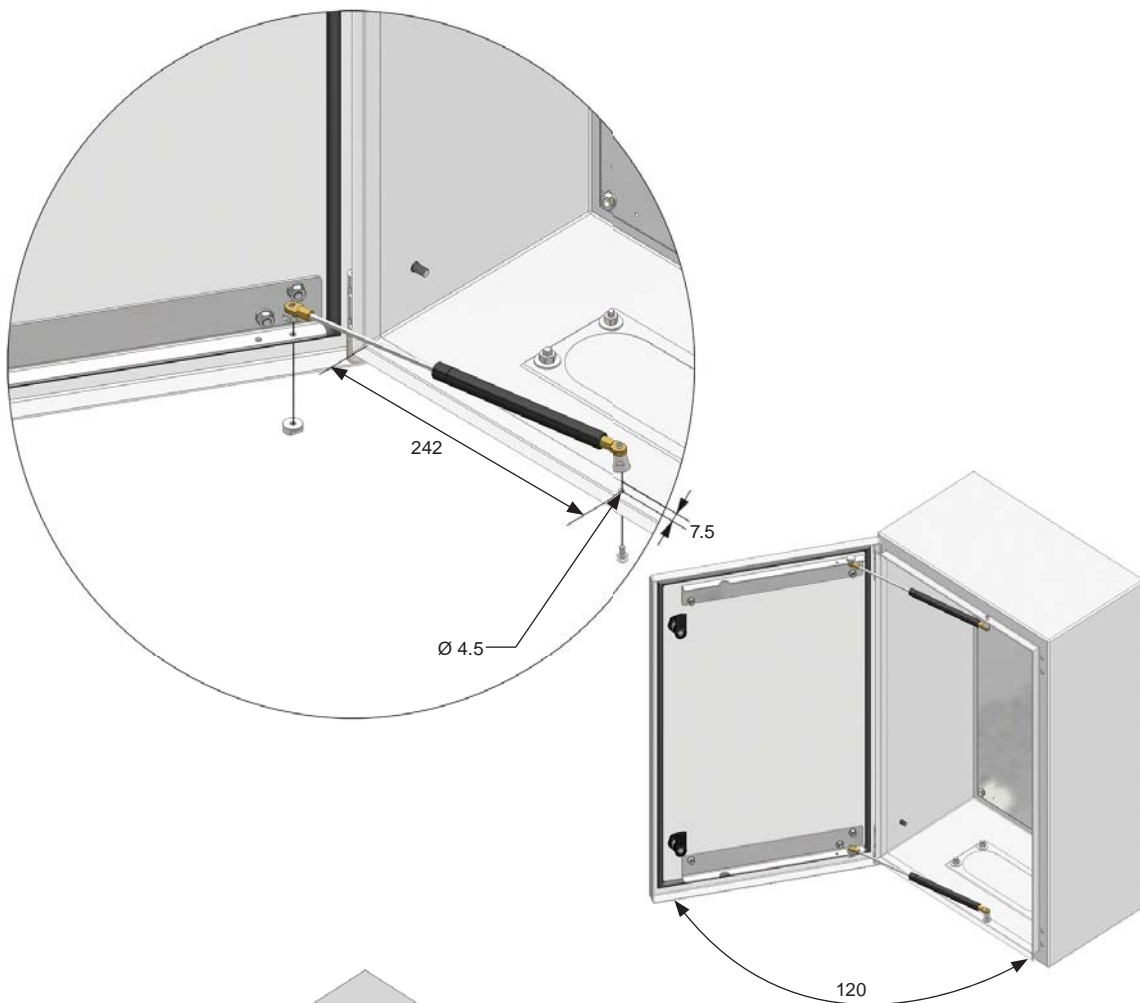


**BOX DOOR MOUNTING RAIL ■**

**BEFESTIGUNGSSCHIENEN ■**  
**FÜR WANDSCHRANKTÜREN**

**DØR MONTERINGS SKINNE ■**


TYPE	DESCRIPTION	SIZE (HEIGHT)	WEIGHT kg	QTY	ORDER No. RAL 7035 FTF.
BDMR 3	BOX DOOR MOUNTING RAIL	300	0.19	1	52710
BDMR 4	BOX DOOR MOUNTING RAIL	400	0.30	1	52720
BDMR 5	BOX DOOR MOUNTING RAIL	500	0.40	1	52730
BDMR 6	BOX DOOR MOUNTING RAIL	600	0.50	1	52740
BDMR 7	BOX DOOR MOUNTING RAIL	700	0.60	1	52750
BDMR 8	BOX DOOR MOUNTING RAIL	800	0.71	1	52760
BDMR 9	BOX DOOR MOUNTING RAIL	900	0.82	1	52770
BDMR 10	BOX DOOR MOUNTING RAIL	1000	0.90	1	52780
BDMR 11	BOX DOOR MOUNTING RAIL	1100	1.00	1	52790
BDMR 12	BOX DOOR MOUNTING RAIL	1200	1.11	1	52800



- 14310
- 14320
- 14330
- 14333
- 14347
- 14350

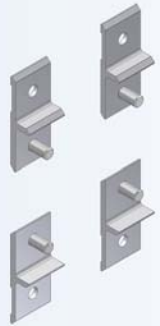
## COMBINATIONS

BOX DOOR SIZE	DOOR MOUNTING RAIL SIZE	TM CABLE HOLDER SIZE
300 x 300	300	200
300 x 400	400	200
300 x 500	500	200
400 x 300	300	300
400 x 400	400	300
400 x 500	500	300
400 x 600	600	300
400 x 700	700	300
500 x 600	600	400
500 x 700	700	400
600 x 400	400	500
600 x 500	500	500
600 x 600	600	500
600 x 700	700	500
600 x 800	800	500
600 x 1000	1000	500
600 x 1200	1200	500
800 x 800	800	700
800 x 1000	900	700



**STAND OFF WALL MOUNTING BRACKET** ■  
**WANDBEFESTIGUNGS HALTER** ■  
**VÆG-AFSTANDS BESLAG** ■

TYPE	DESCRIPTION	SIZE (HEIGHT)	WEIGHT kg	QTY	ORDER No. RAL 7035 FTF.
STWB 2	STAND OFF WALL MOUNTING BRACKET	200	0.43	1	52200
STWB 3	STAND OFF WALL MOUNTING BRACKET	300	0.64	1	52210
STWB 4	STAND OFF WALL MOUNTING BRACKET	400	0.86	1	52220
STWB 5	STAND OFF WALL MOUNTING BRACKET	500	1.07	1	52230
STWB 6	STAND OFF WALL MOUNTING BRACKET	600	1.28	1	52240
STWB 7	STAND OFF WALL MOUNTING BRACKET	700	1.50	1	52250
STWB 8	STAND OFF WALL MOUNTING BRACKET	800	1.71	1	52260
STWB 10	STAND OFF WALL MOUNTING BRACKET	1000	2.14	1	52270



**BOX WALL MOUNTING BRACKET** ■  
**WANDBESCHLAG** ■  
**VÆG BESLAG** ■

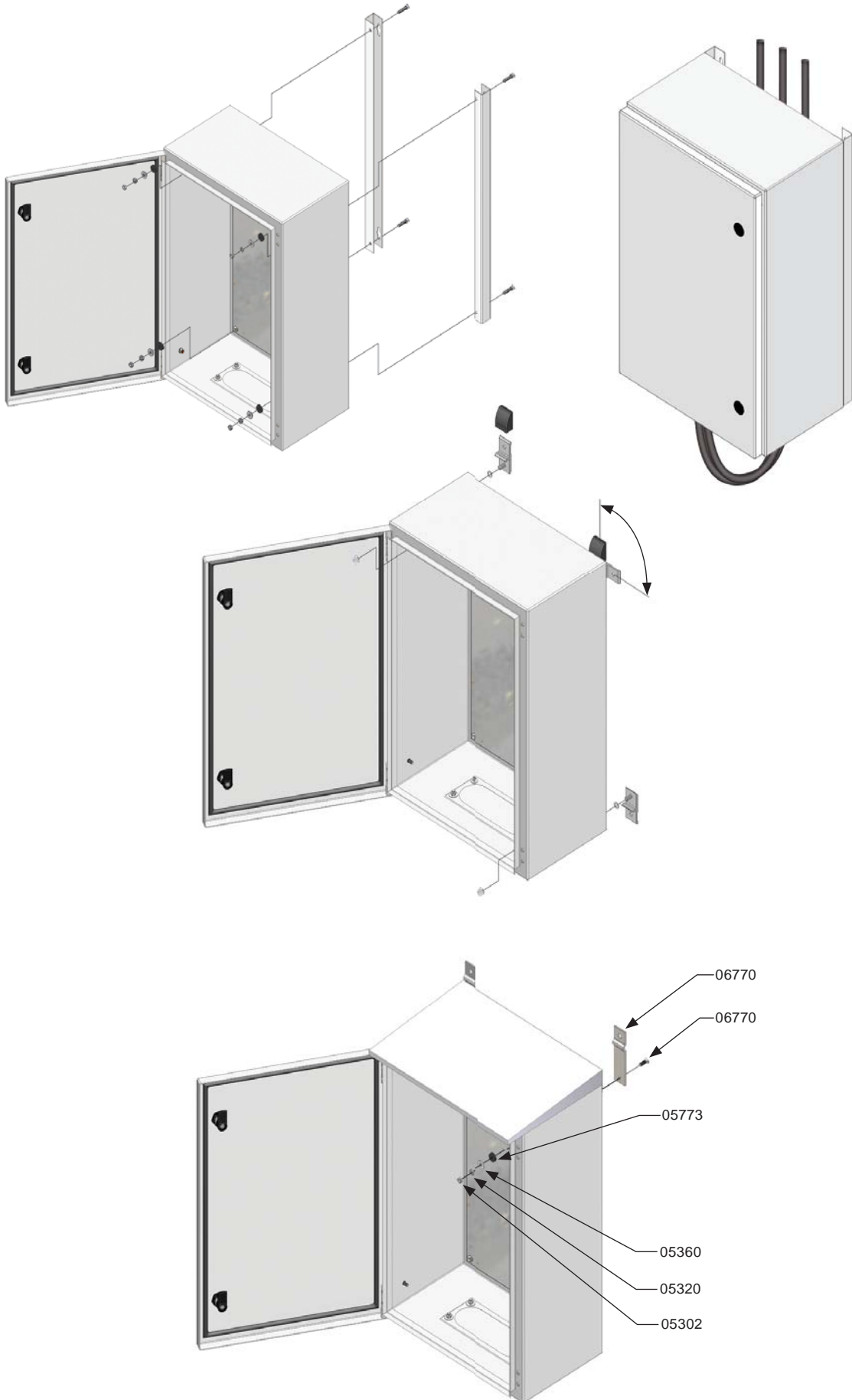
TYPE	DESCRIPTION	WEIGHT kg	QTY	ORDER No.
BWB	BOX WALL MOUNTING BRACKET (Aluminium)	0.40	1 SET	50594



**WALL MOUNTING BRACKET COVER** ■  
**ABDECKUNG FÜR WANDBESCHLAG** ■  
**SKJULER TIL VÆGBESLAG** ■

TYPE	DESCRIPTION	WEIGHT kg	QTY	ORDER No.
WBC	WALL MOUNTING BRACKET COVER	0.1	1 SET	50595





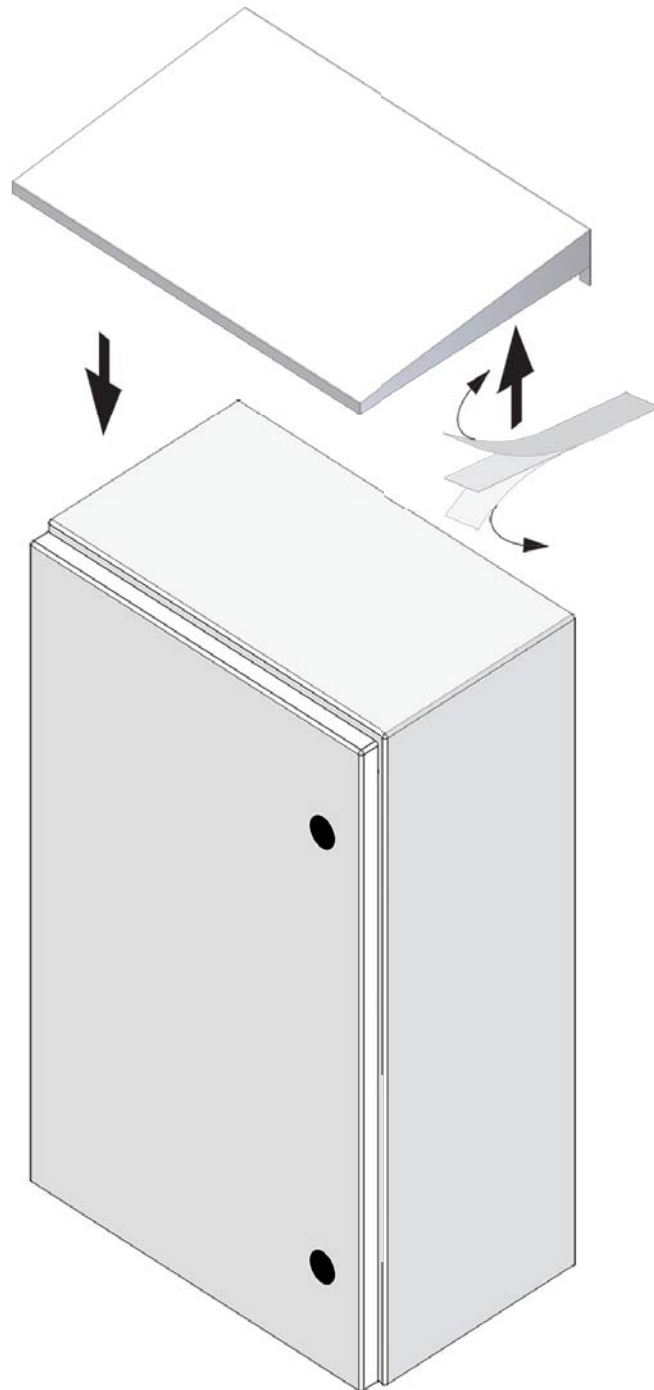


**CANOPY** ■

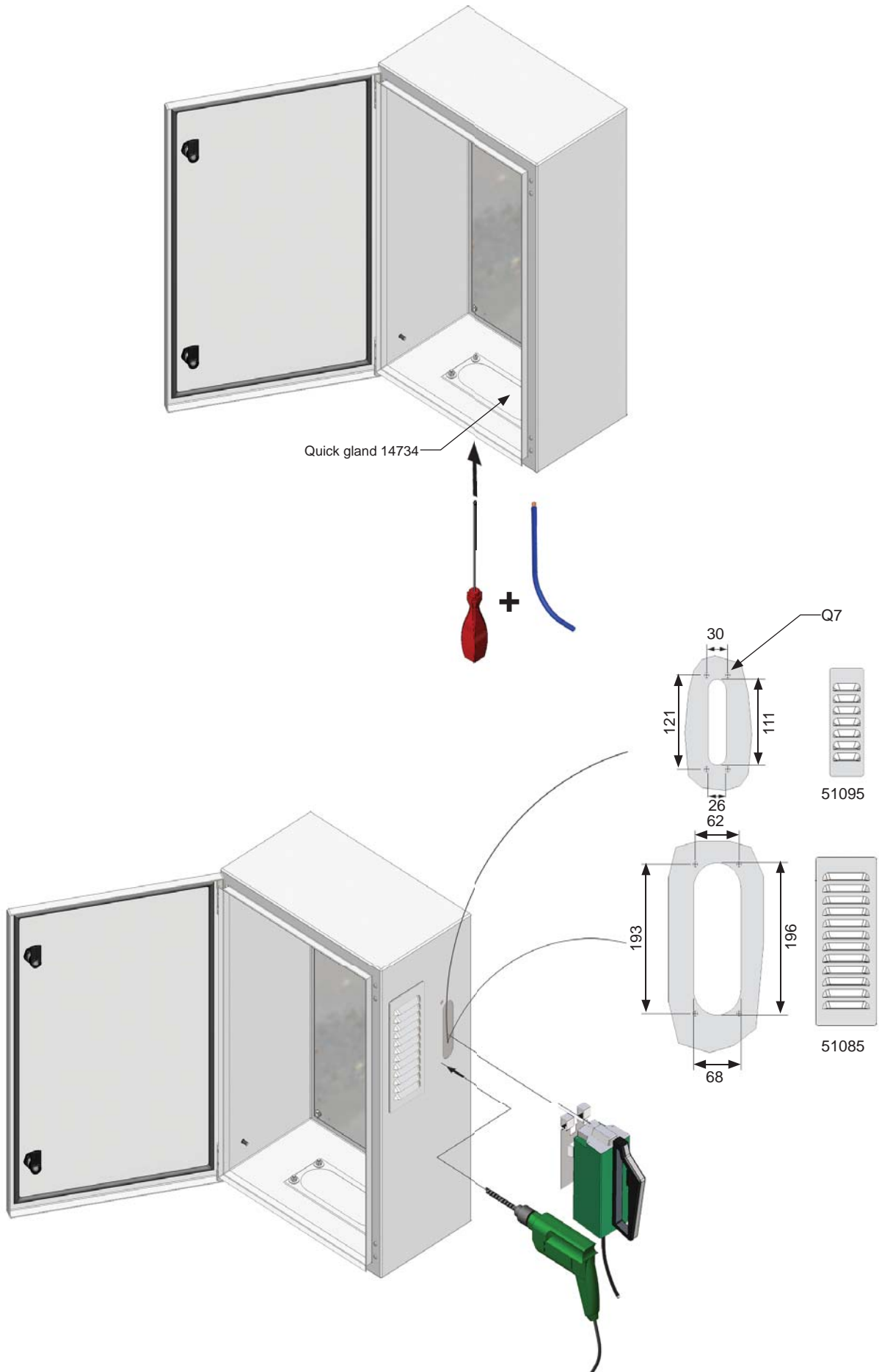
**REGENDACH** ■

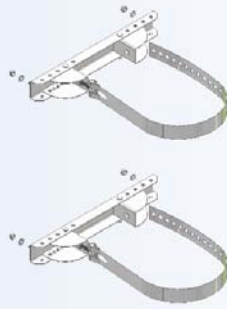
**REGNTAG** ■

TYPE	DESCRIPTION	SIZE (WIDTH × DEPTH)	WEIGHT kg	QTY	ORDER No. RAL 7035 FTF.
CAN 3.1.5	CANOPY	300 × 150	1.60	1	52000
CAN 4.1.5	CANOPY	400 × 150	1.93	1	52010
CAN 6.1.5	CANOPY	600 × 150	2.58	1	52020
CAN 3.2	CANOPY	300 × 200	1.91	1	52050
CAN 4.2	CANOPY	400 × 200	2.30	1	52060
CAN 6.2	CANOPY	600 × 200	3.09	1	52070









**POLE MOUNTING SYSTEM ■**

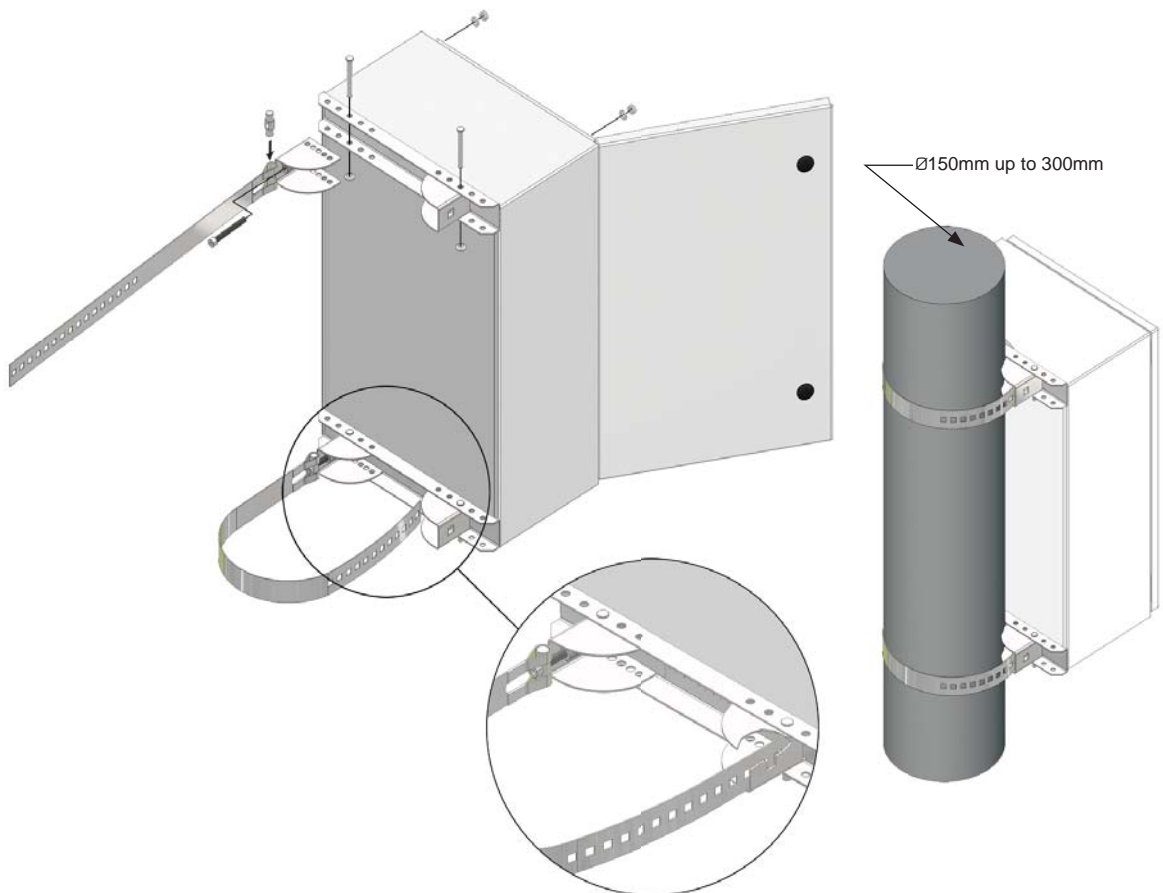
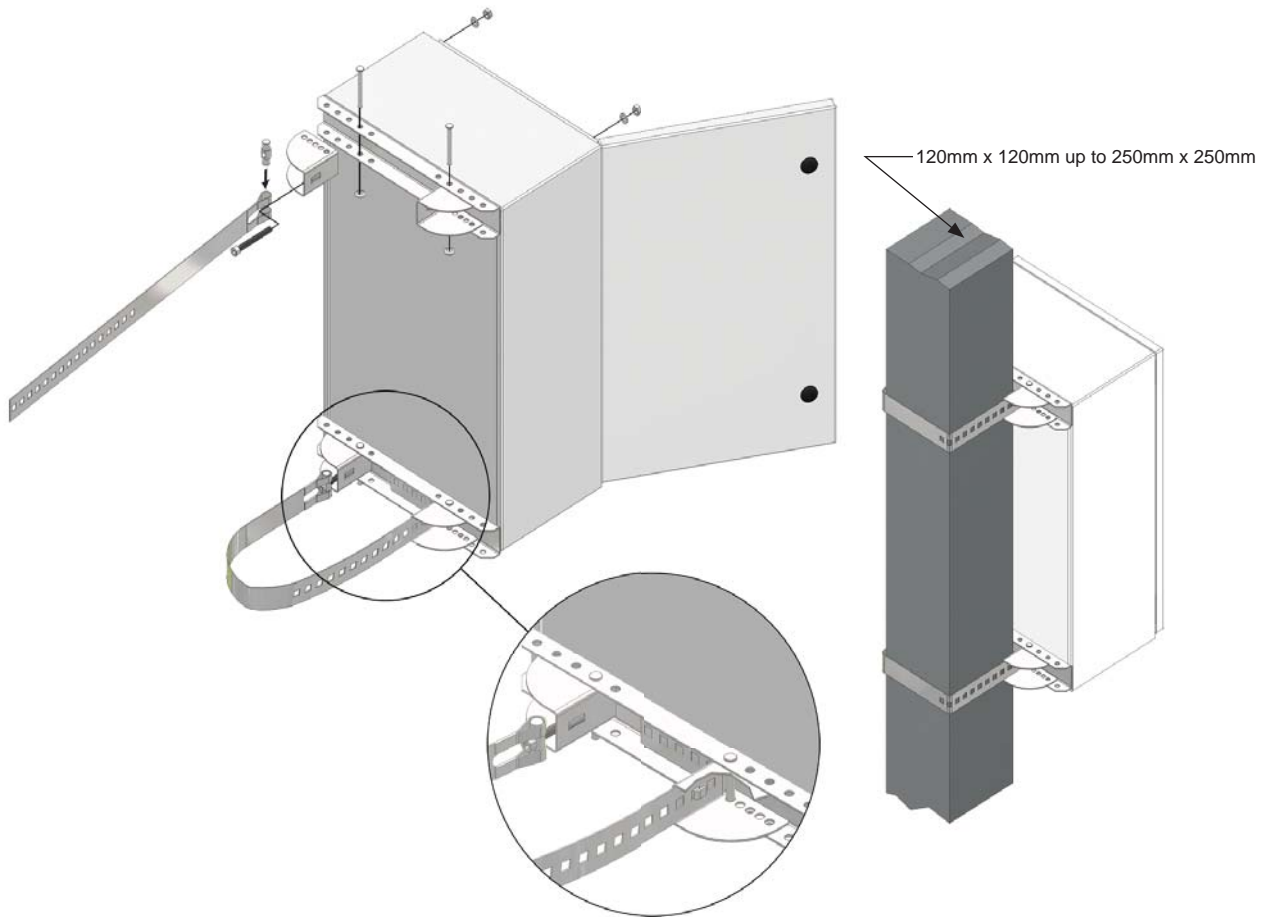
**PFAHL-BEFESTIGUNGS  
SYSTEM ■**

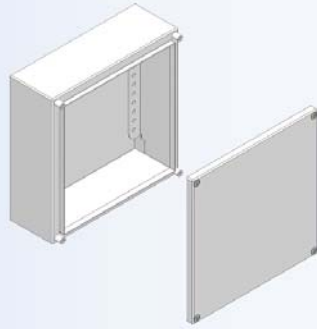
**MAST BESLAG ■**

Circular pole - Ø150mm up to ø300mm  
Square pole - 120mm x 120mm up to 250mm x 250mm

TYPE	DESCRIPTION	BOX (WIDTH)	QTY	ORDER NO.
PMS 4	POLE MOUNTING SYSTEM	400	1 SET	50500
PMS 5	POLE MOUNTING SYSTEM	500	1 SET	50505
PMS 6	POLE MOUNTING SYSTEM	600	1 SET	50510
PMS 8	POLE MOUNTING SYSTEM	800	1 SET	50515

Bigger strip sizes on request



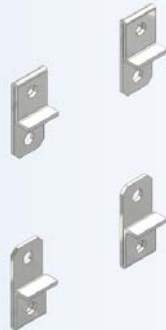


**TERMINAL BOX** ■

**KLEMMENKASTEN** ■

**KLEMKASSER** ■

TYPE	DESCRIPTION	SIZE (W×H×D)	WEIGHT kg	QTY	ORDER No. RAL7035 FTF..
TNB 1,5.1,5-80 V2	TERMINAL BOX	150 × 150 × 80	1.39	1	70700
TNB 3.1,5-80 V2	TERMINAL BOX	300 × 150 × 80	2.14	1	70710
TNB 2.2-80 V2	TERMINAL BOX	200 × 200 × 80	1.98	1	70715
TNB 3.2-80 V2	TERMINAL BOX	300 × 200 × 80	2.57	1	70725
TNB 1,5.1,5-120 V2	TERMINAL BOX	150 × 150 × 120	1.98	1	70740
TNB 1,75.1,75-120 V2	TERMINAL BOX	175 × 175 × 120	2.30	1	70750
TNB 3.1,5-120 V2	TERMINAL BOX	300 × 150 × 120	2.84	1	70755
TNB 2.2-120 V2	TERMINAL BOX	200 × 200 × 120	2.65	1	70760
TNB 3.2-120 V2	TERMINAL BOX	300 × 200 × 120	3.32	1	70770
TNB 4.2-120 V2	TERMINAL BOX	400 × 200 × 120	4.00	1	70775
TNB 3.3-120 V2	TERMINAL BOX	300 × 300 × 120	4.24	1	70780



**WALL MOUNTING BRACKET** ■

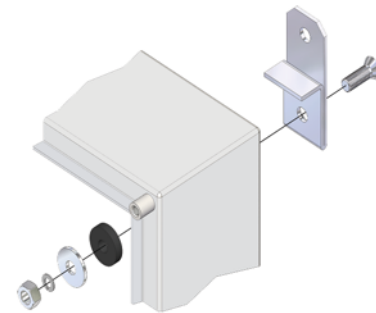
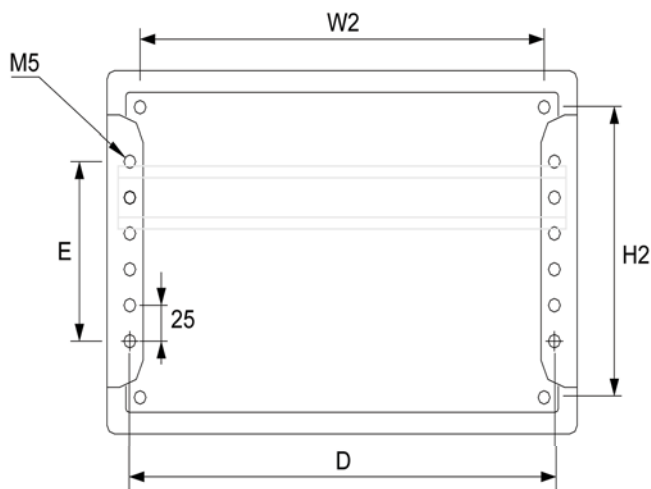
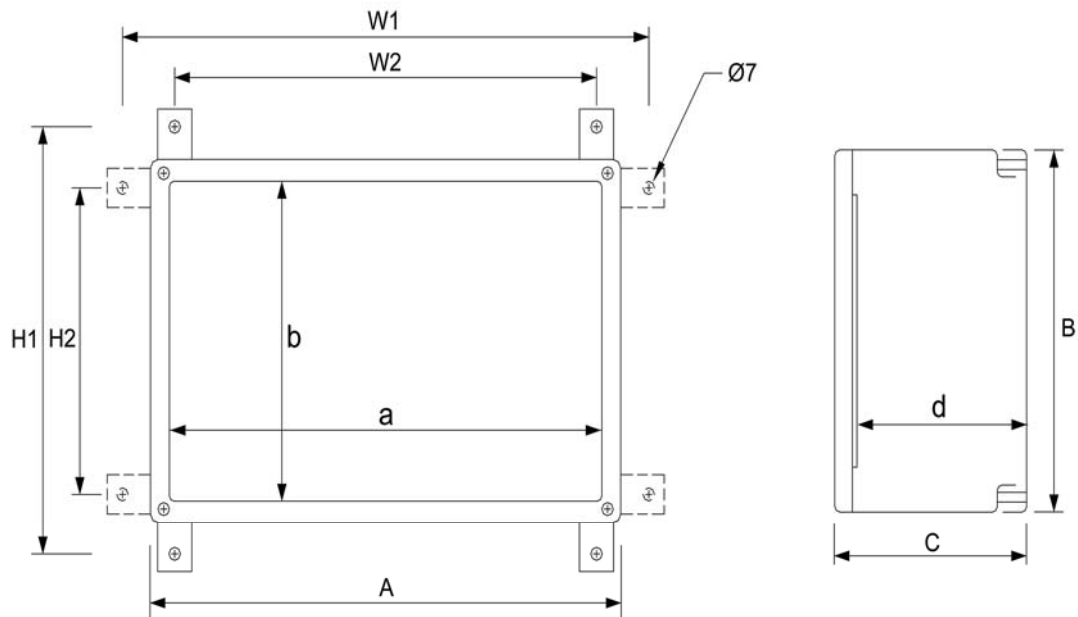
**WANDBESCHLÅGE** ■

**VÆG BESLAG** ■

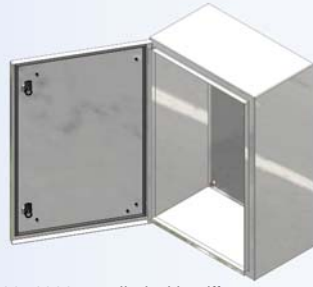
TYPE	DESCRIPTION	WEIGHT kg	QTY	ORDER No.
TWB	WALL MOUNTING BRACKET	0.16	1 SET	70150



## MAIN DIMENSION



TYPE	OVERALL SIZE					OPENING DEPTH			MOUNTING HOLE POSITIONS				WEIGHT kg	ORDER No. RAL 7035 FTF..
	A	B	C	D	E	a	b	d	W1	W2	H1	H2		
TNB 1,5.1,5-80 V2	150	150	80	125	75	125	125	67	190	110	190	110	1.39	70700
TNB 3.1,5-80 V2	300	150	80	275	75	275	125	67	340	260	190	110	2.14	70710
TNB 2.2-80 V2	200	200	80	175	125	175	175	67	240	160	240	160	1.98	70715
TNB 3.2-80 V2	300	200	80	275	125	275	175	67	340	260	240	160	2.57	70725
TNB 1,5.1,5-120 V2	150	150	120	125	75	125	125	107	190	110	190	110	1.98	70740
TNB 1,75.1,75-120 V	175	175	120	150	100	150	150	107	215	135	215	135	2.30	70750
TNB 3.1,5-120 V2	300	150	120	275	75	275	125	107	340	260	190	110	2.84	70755
TNB 2.2-120 V2	200	200	120	175	125	175	175	107	240	160	240	160	2.65	70760
TNB 3.2-120 V2	300	200	120	275	125	275	175	107	340	260	240	160	3.32	70770
TNB 4.2-120 V2	400	200	120	375	125	375	175	107	440	360	240	160	4.00	70775
TNB 3.3-120 V2	300	300	120	275	225	275	275	107	340	260	340	260	4.24	70780



**STAINLESS STEEL BOX IP66** ■

**EDELSTAHL BOX IP66** ■

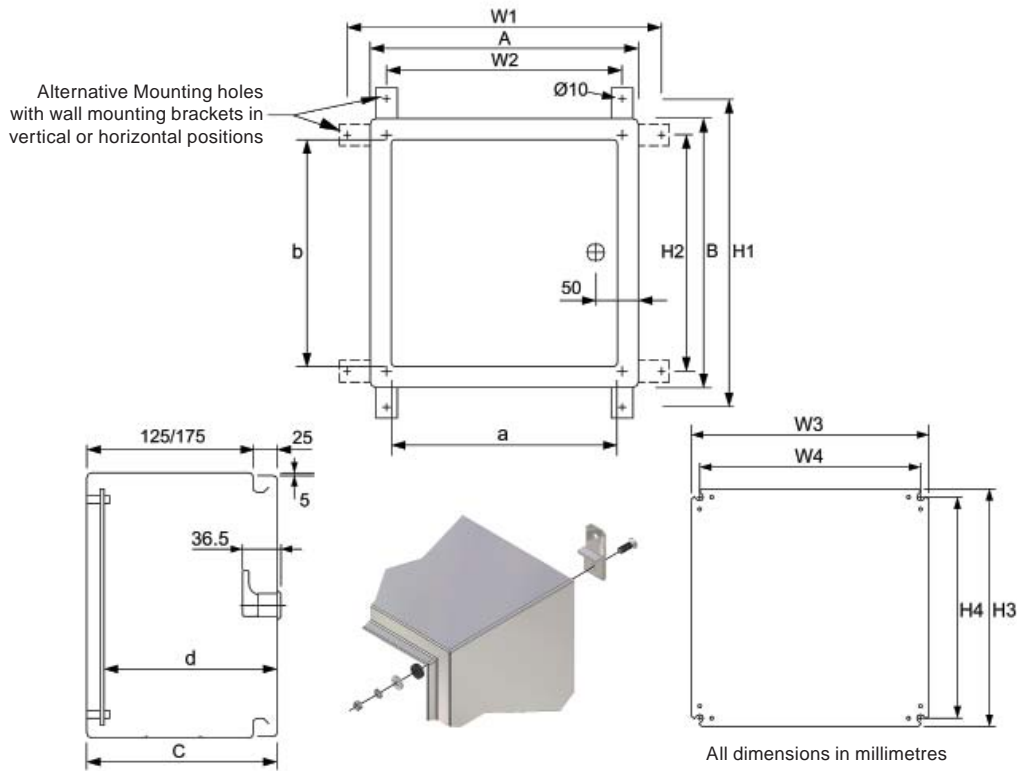
**RUSTFRI BOX IP66** ■

Door sizes above 800x1000 supplied with stiffeners  
All sizes might not be available with your dealer

TYPE	SIZE (W×H×D)	LOCKS	WEIGHT kg	QTY	ORDER No. AISI 304	ORDER No. AISI 316
SBOX 2.2-150	200 × 200 × 150	1	4.56	1	63500	64000
SBOX 2.3-150	200 × 300 × 150	1	5.78	1	63505	64005
SBOX 2.5.3-150	250 × 300 × 150	1	6.60	1	63510	64010
SBOX 3.3-150	300 × 300 × 150	1	7.42	1	63515	64015
SBOX 3.3-200	300 × 300 × 200	1	8.16	1	63520	64020
SBOX 3.4-150	300 × 400 × 150	2	9.06	1	63525	64025
SBOX 3.4-200	300 × 400 × 200	2	10.93	1	63630	64030
SBOX 4.3-150	400 × 300 × 150	1	9.06	1	63545	64045
SBOX 4.3-200	400 × 300 × 200	1	10.93	1	63550	64050
SBOX 4.4-150	400 × 400 × 150	2	11.13	1	63555	64055
SBOX 4.4-200	400 × 400 × 200	2	13.13	1	63560	64060
SBOX 4.5-150	400 × 500 × 150	2	13.20	1	63570	64070
SBOX 4.5-200	400 × 500 × 200	2	15.33	1	63575	64075
SBOX 4.5-250	400 × 500 × 250	2	16.12	1	63580	64080
SBOX 4.6-200	400 × 600 × 200	2	17.52	1	63585	64085
SBOX 4.6-250	400 × 600 × 250	2	18.45	1	63590	64090
SBOX 4.7-200	400 × 700 × 200	2	19.72	1	63600	64100
SBOX 5.5-200	500 × 500 × 200	2	19.16	1	63655	64155
SBOX 5.5-250	500 × 500 × 250	2	20.23	1	63656	64156
SBOX 5.6-200	500 × 600 × 200	2	20.58	1	63660	64160
SBOX 5.6-250	500 × 600 × 250	2	20.72	1	63662	64161
SBOX 5.7-200	500 × 700 × 200	2	23.20	1	63665	64165
SBOX 5.7-250	500 × 700 × 250	2	24.18	1	63670	64170
SBOX 6.4-200	600 × 400 × 200	2	17.52	1	63705	64205
SBOX 6.4-300	600 × 400 × 300	2	17.73	1	63710	64210
SBOX 6.5-200	600 × 500 × 200	2	20.58	1	63715	64215
SBOX 6.6-200	600 × 600 × 200	2	23.63	1	63720	64220
SBOX 6.6-300	600 × 600 × 300	2	24.35	1	63730	64230
SBOX 6.7-200	600 × 700 × 200	2	26.68	1	63735	64235
SBOX 6.8-200	600 × 800 × 200	3	29.74	1	63745	64245
SBOX 6.8-250	600 × 800 × 250	3	32.73	1	63750	64250
SBOX 6.8-300	600 × 800 × 300	3	34.63	1	63755	64255
SBOX 6.10-200	600 × 1000 × 200	3	35.84	1	63760	64260
SBOX 6.12-200	600 × 1200 × 200	3	41.00	1	63775	64275
SBOX 8.8-200	800 × 800 × 200	3	39.30	1	63850	64350
SBOX 8.8-300	800 × 800 × 300	3	41.45	1	63855	64355
SBOX 8.10-200	800 × 1000 × 200	3	45.37	1	63860	64360
SBOX 8.10-250	800 × 1000 × 250	3	45.32	1	63865	64365
SBOX 8.10-300	800 × 1000 × 300	3	47.63	1	63870	64370
SBOX 8.12-200	800 × 1200 × 200	3	50.83	1	63875	64375
SBOX 8.12-250	800 × 1200 × 250	3	53.39	1	63880	64380
SBOX 8.12-300	800 × 1200 × 300	3	55.96	1	63885	64385
SBOX 10.10-200	1000 × 1000 × 200	3	52.54	1	63950	64450
SBOX 10.10-300	1000 × 1000 × 300	3	57.67	1	63955	64455
SBOX 10.12-300	1000 × 1200 × 300	3	67.71	1	63960	64460

TYPE	DESCRIPTION	QTY	ORDER No. AISI 304	ORDER No. AISI 316
SWB	STAINLESS STEEL WALL MOUNTING BRACKETS	1 SET	60290	60590

## MAIN DIMENSION Stainless Steel Box IP66



TYPE	OVERALL SIZE			OPENING DEPTH			MOUNTING HOLE POSITIONS				MOUNTING PLATE HOLE SIZE				LOCKS	WEIGHT kg	ORDER No. AISI 304	ORDER No. AISI 316
	A	B	C	a	b	d	W1	W2	H1	H2	W3	H3	W4	H4				
SBOX 2.2-150	200	200	150	150	150	135	240	160	240	160	148	148	125	125	1	4.56	63500	64000
SBOX 2.3-150	200	300	150	150	250	135	240	160	340	260	148	248	125	225	1	5.78	63505	64005
SBOX 2.5.3-150	250	300	150	200	250	135	290	210	340	260	198	248	175	225	1	6.60	63510	64010
SBOX 3.3-150	300	300	150	250	250	135	340	260	340	260	248	248	225	225	1	7.42	63515	64015
SBOX 3.3-200	300	300	200	250	250	185	340	260	340	260	248	248	225	225	1	8.16	63520	64020
SBOX 3.4-150	300	400	150	250	350	135	340	260	440	360	248	348	225	325	2	9.06	63525	64025
SBOX 3.4-200	300	400	200	250	350	185	340	260	440	360	248	348	225	325	2	10.93	63630	64030
SBOX 4.3-150	400	300	150	350	250	135	440	360	340	260	348	248	325	225	1	9.06	63545	64045
SBOX 4.3-200	400	300	200	350	250	185	440	360	340	260	348	248	325	225	1	10.93	63550	64050
SBOX 4.4-150	400	400	150	350	350	135	440	360	440	360	348	348	325	325	2	11.13	63555	64055
SBOX 4.4-200	400	400	200	350	350	185	440	360	440	360	348	348	325	325	2	13.13	63560	64060
SBOX 4.5-150	400	500	150	350	450	135	440	360	540	460	348	448	325	425	2	13.20	63570	64070
SBOX 4.5-200	400	500	200	350	450	185	440	360	540	460	348	448	325	425	2	15.33	63575	64075
SBOX 4.5-250	400	500	250	350	450	235	440	360	540	460	348	448	325	425	2	16.12	63580	64080
SBOX 4.6-200	400	600	200	350	550	185	440	360	640	560	348	548	325	525	2	17.52	63585	64085
SBOX 4.6-250	400	600	250	350	550	235	440	360	640	560	348	548	325	525	2	18.45	63590	64090
SBOX 4.7-200	400	700	200	350	650	185	440	360	740	660	348	648	325	625	2	19.72	63600	64100
SBOX 5.5-200	500	500	200	450	450	185	540	460	540	460	448	448	425	425	2	19.16	63655	64155
SBOX 5.5-250	500	500	250	450	450	235	540	460	540	460	448	448	425	425	2	20.23	63656	64156
SBOX 5.6-200	500	600	200	450	450	185	540	460	640	560	448	548	425	525	2	20.58	63660	64160
SBOX 5.6-250	500	600	250	450	450	235	540	460	640	560	448	548	425	525	2	20.72	63662	64161
SBOX 5.7-200	500	700	200	450	650	185	540	460	740	660	448	648	425	625	2	23.20	63665	64165
SBOX 5.7-250	500	700	250	450	650	235	540	460	740	660	448	648	425	625	2	24.18	63670	64170
SBOX 6.4-200	600	400	200	550	350	185	640	560	440	360	548	348	525	325	2	17.52	63705	64205
SBOX 6.4-300	600	400	300	550	350	285	640	560	440	360	548	348	525	325	2	17.73	63710	64210
SBOX 6.5-200	600	500	200	550	450	185	640	560	540	460	548	448	525	425	2	20.58	63715	64215
SBOX 6.6-200	600	600	200	550	550	185	640	560	640	560	548	548	525	525	2	23.63	63720	64220
SBOX 6.6-300	600	600	300	550	550	285	640	560	640	560	548	548	525	525	2	24.35	63730	64230
SBOX 6.7-200	600	700	200	550	650	185	640	560	740	660	548	648	525	625	2	26.68	63735	64235
SBOX 6.8-200	600	800	200	550	750	185	640	560	840	760	548	748	525	725	3	29.74	63745	64245
SBOX 6.8-250	600	800	250	550	750	235	640	560	840	760	548	748	525	725	3	32.73	63750	64250
SBOX 6.8-300	600	800	300	550	750	285	640	760	840	760	548	748	525	725	3	34.63	63755	64255
SBOX 6.10-200	600	1000	200	550	950	185	640	560	1040	960	548	948	525	925	3	35.84	63760	64260
SBOX 6.12-200	600	1200	200	550	1150	185	640	560	1040	1160	548	1148	525	1125	3	41.00	63775	64275
SBOX 8.8-200	800	800	200	750	750	185	840	760	840	760	748	748	725	725	3	39.30	63850	64350
SBOX 8.8-300	800	800	300	750	750	285	840	760	840	760	748	748	725	725	3	41.45	63855	64355
SBOX 8.10-200	800	1000	200	750	950	185	840	760	1040	960	748	948	725	925	3	45.37	63860	64360
SBOX 8.10-250	800	1000	250	750	950	235	840	760	1040	960	748	948	725	925	3	45.32	63865	64365
SBOX 8.10-300	800	1000	300	750	950	285	840	760	1040	960	748	948	725	925	3	47.63	63870	64370
SBOX 8.12-200	800	1200	200	750	1150	185	840	760	1240	1160	748	1148	725	1125	3	50.83	63875	64375
SBOX 8.12-250	800	1200	250	750	1150	235	840	760	1240	1160	748	1148	725	1125	3	53.39	63880	64380
SBOX 8.12-300	800	1200	300	750	1150	285	840	760	1240	1160	748	1148	725	1125	3	55.96	63885	64385
SBOX 10.10-200	1000	1000	200	950	950	185	1040	960	1040	960	948	948	925	925	3	52.54	63950	64450
SBOX 10.10-300	1000	1000	300	950	950	285	1040	960	1040	960	948	948	925	925	3	57.67	63955	64455
SBOX 10.12-300	1000	1200	300	950	950	285	1040	960	1240	1160	948	1148	925	1125	3	67.71	63960	64460

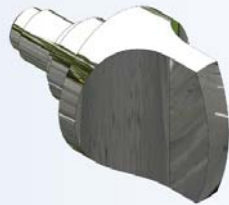


**STAINLESS STEEL ■**  
**WALL MOUNTING BRACKETS**

**EDEL STAHL WAND BESHLAG ■**

**RUSTFRI VÆG BESLAG ■**

TYPE	DESCRIPTION	QTY	ORDER No. AISI 304	ORDER No. AISI 316
SWB	STAINLESS STEEL WALL MOUNTING BRACKETS	1 SET	60290	60590

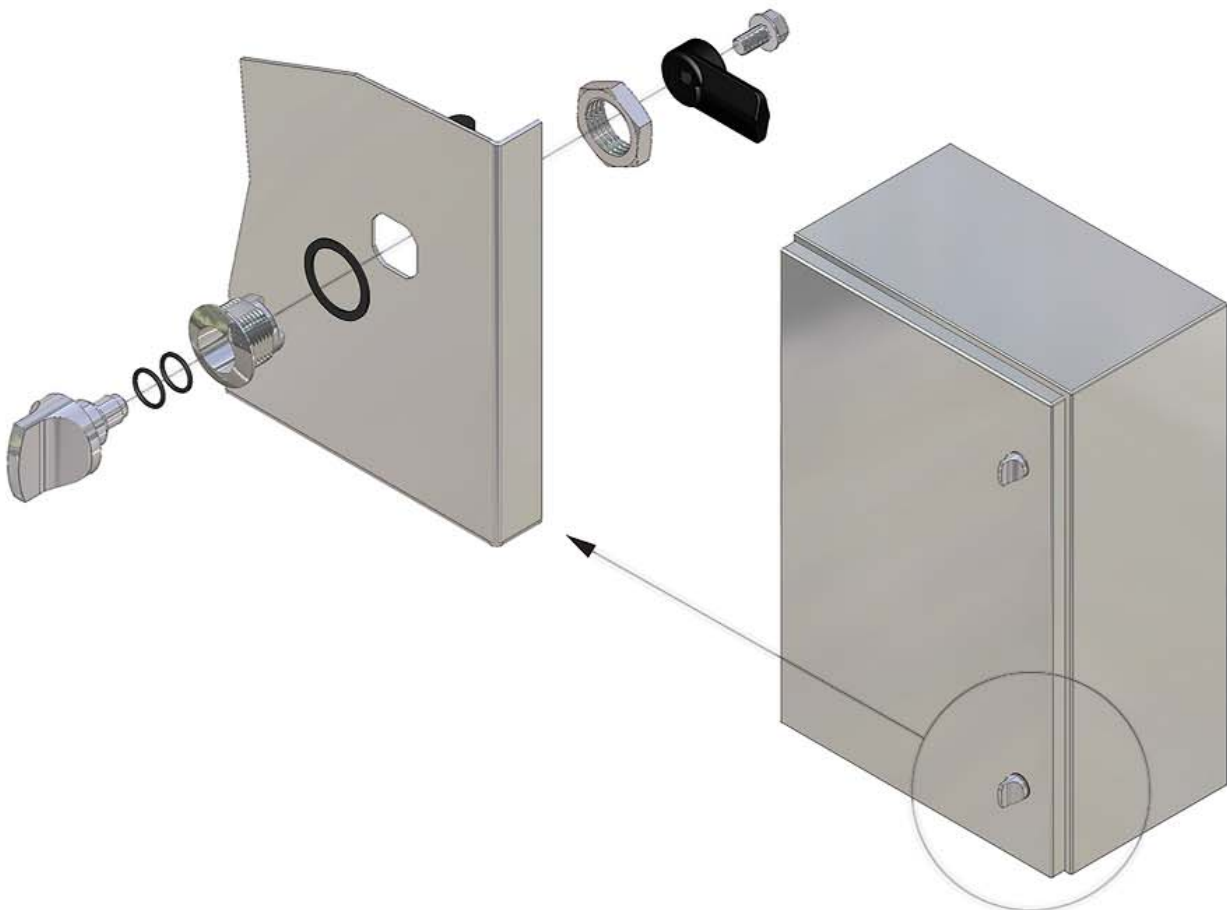


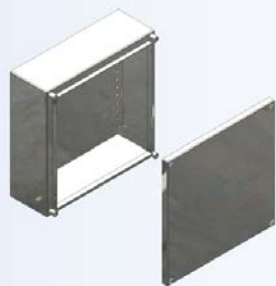
**STAINLESS STEEL KNOB LOCK ■**

**EDEL STAHL HAND GRIFF ■**

**RUSTFRI VRIDE LÅS ■**

TYPE	DESCRIPTION	WEIGHT kg	QTY	ORDER No.
SSKL	STAINLESS STEEL KNOB LOCK	0.06	1	60295



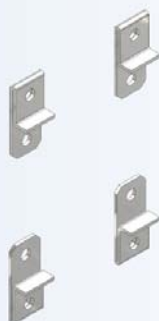


**STAINLESS STEEL ■**  
**TERMINAL BOX IP66**

**EDELSTAHL ■**  
**KLEMMENKASTEN IP66**

**RUSTFRI KLEMKASSER IP66 ■**

TYPE	DESCRIPTION	SIZE (W×H×D)	WEIGHT kg	QTY	ORDER No. AISI 304	ORDER No. AISI 316
STNB 1,5.1,5-80 V2	TERMINAL BOX	150 × 150 × 80	1.71	1	72000	72100
STNB 3.1,5-80 V2	TERMINAL BOX	300 × 150 × 80	2.63	1	72005	72105
STNB 2.2-80 V2	TERMINAL BOX	200 × 200 × 80	2.43	1	72010	72110
STNB 3.2-80 V2	TERMINAL BOX	300 × 200 × 80	3.17	1	72015	72115
STNB 1,5.1,5-120 V2	TERMINAL BOX	150 × 150 × 120	2.44	1	72030	72130
STNB 1,75.1,75-120 V2	TERMINAL BOX	175 × 175 × 120	2.00	1	72035	72135
STNB 3.1,5-120 V2	TERMINAL BOX	300 × 150 × 120	3.52	1	72040	72140
STNB 2.2-120 V2	TERMINAL BOX	200 × 200 × 120	3.26	1	72045	72145
STNB 3.2-120 V2	TERMINAL BOX	300 × 200 × 120	4.11	1	72050	72150
STNB 4.2-120 V2	TERMINAL BOX	400 × 200 × 120	4.96	1	72055	72155
STNB 3.3-120 V2	TERMINAL BOX	300 × 300 × 120	5.26	1	72060	72160



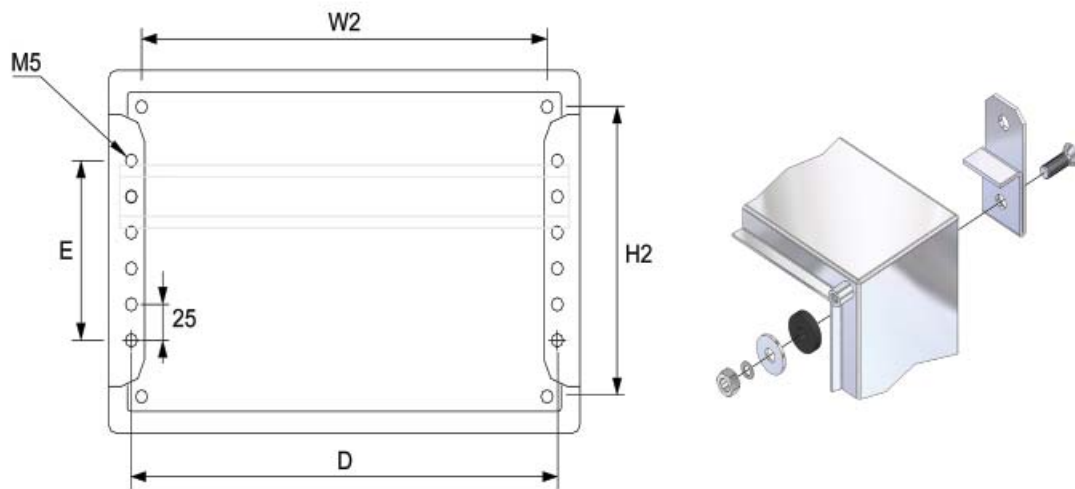
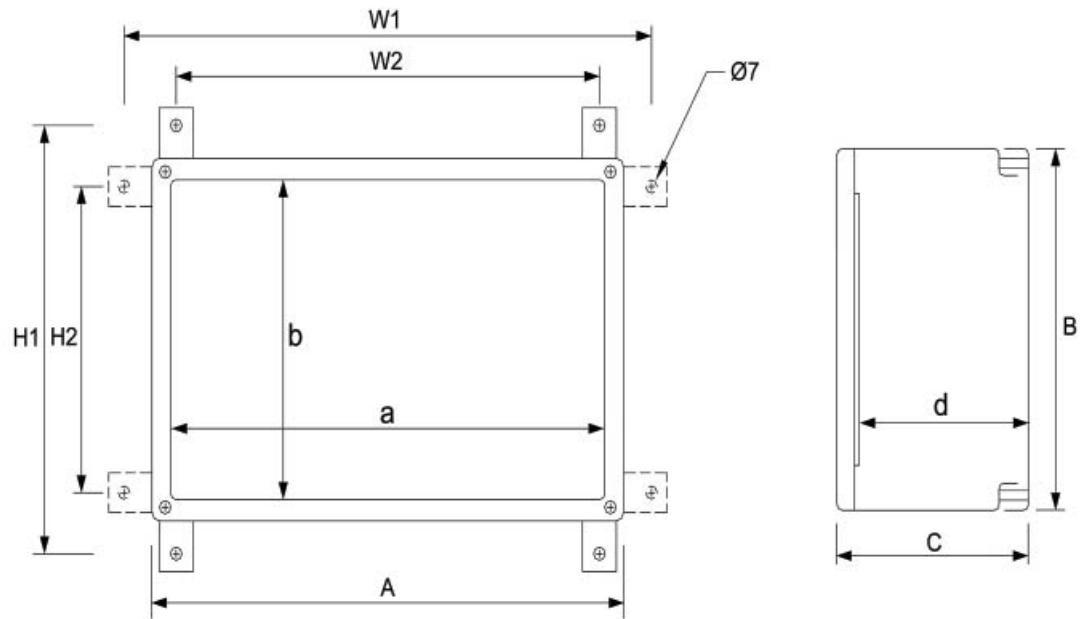
**STAINLESS STEEL ■**  
**WALL MOUNTING BRACKET**

**WANDBESCHLÄGE ■**

**VÆG BESLAG ■**

TYPE	DESCRIPTION	QTY	ORDER No. AISI 304	ORDER No. AISI 316
STWB	STAINLESS STEEL WALL MOUNTING BRACKETS	1 SET	70350	70550

## MAIN DIMENSIONS



TYPE	OVERALL SIZE					OPENING DEPTH			MOUNTING HOLE POSITIONS				WEIGHT kg	ORDER No. AISI 304	ORDER No. AISI 316
	A	B	C	D	E	a	b	d	W1	W2	H1	H2			
STNB 1,5,1,5-80 V2	150	150	80	125	75	125	125	67	190	110	190	110	1.71	72000	72100
STNB 3,1,5-80 V2	300	150	80	275	75	275	125	67	340	260	190	110	2.63	72005	72105
STNB 2,2-80 V2	200	200	80	175	125	175	175	67	240	160	240	160	2.43	72010	72110
STNB 3,2-80 V2	300	200	80	275	125	275	175	67	340	260	240	160	3.17	72015	72115
STNB 1,5,1,5-120 V2	150	150	120	125	75	125	125	107	190	110	190	110	2.44	72030	72130
STNB 1,75,1,75-120 V2	175	175	120	150	100	150	150	107	215	135	215	135	2.00	72035	72135
STNB 3,1,5-120 V2	300	150	120	275	75	275	125	107	340	260	190	110	3.52	72040	72140
STNB 2,2-120 V2	200	200	120	175	125	175	175	107	240	160	240	160	3.26	72045	72145
STNB 3,2-120 V2	300	200	120	275	125	275	175	107	340	260	240	160	4.11	72050	72150
STNB 4,2-120 V2	400	200	120	375	125	375	175	107	440	360	240	160	4.96	72055	72155
STNB 3,3-120 V2	300	300	120	275	225	275	275	107	340	260	340	260	5.26	72060	72160



**STAINLESS STEEL ■**  
**BOX IP69K**

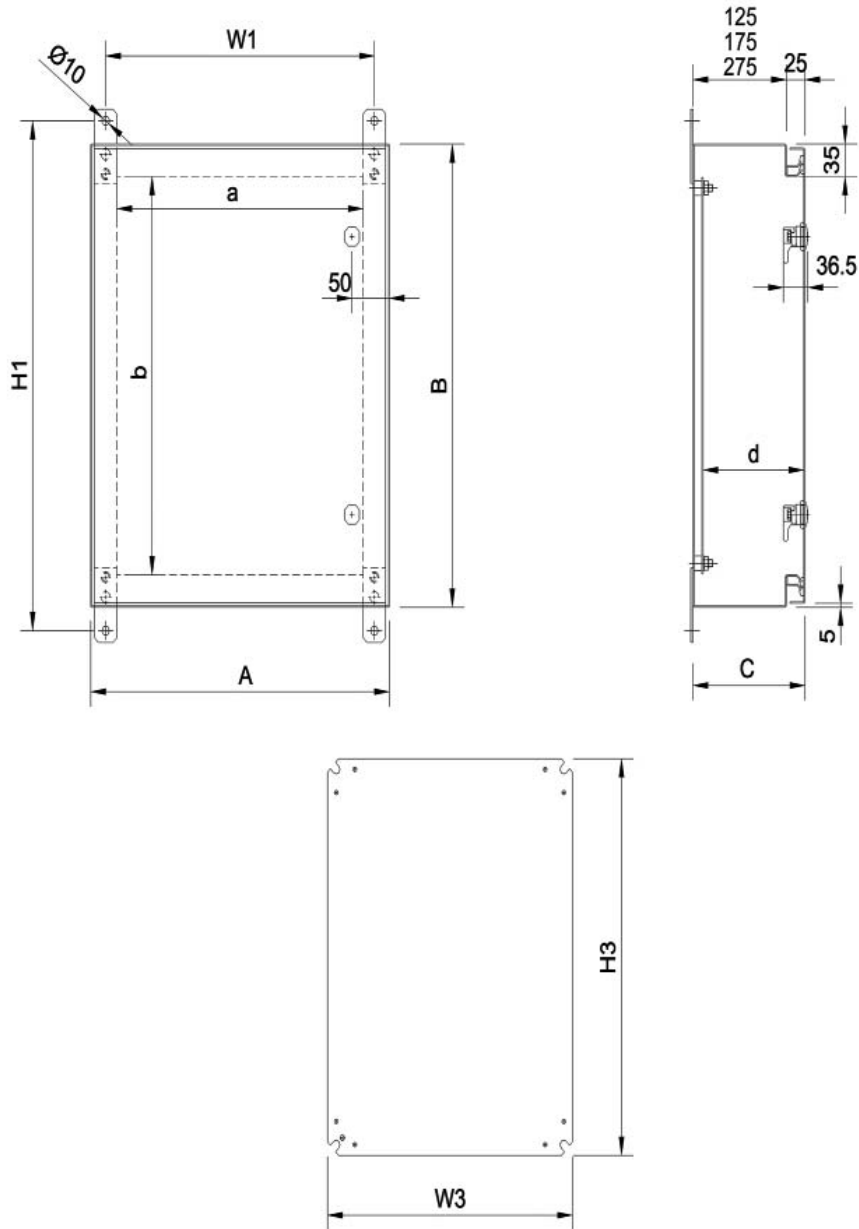
**EDELSTAHL-GEHÄUSE IP69K ■**  
**RUSTFRI**

**BOX IP69K ■**

TYPE	SIZE (W×H×D)	LOCKS	WEIGHT kg	QTY	ORDER No. AISI 304	ORDER No. AISI 316
SBOX-69K 3.3-200	300 × 300 × 200	1	9.16	1	63008	63208
SBOX-69K 3.4-200	300 × 400 × 200	2	10.93	1	63012	63212
SBOX-69K 4.3-200	400 × 300 × 200	1	10.93	1	63016	63216
SBOX-69K 4.4-200	400 × 400 × 200	2	13.13	1	63020	63220
SBOX-69K 4.5-150	400 × 500 × 150	2	13.20	1	63022	63222
SBOX-69K 4.6-200	400 × 600 × 200	3	17.52	1	63028	63228
SBOX-69K 5.5-200	500 × 500 × 200	5	20.58	1	63033	63233
SBOX-69K 5.6-200	500 × 600 × 200	5	21.80	1	63034	63234
SBOX-69K 5.6-300	500 × 600 × 300	5	23.20	1	63035	63235
SBOX-69K 6.4-200	600 × 400 × 200	4	17.52	1	63040	63240
SBOX-69K 6.6-200	600 × 600 × 200	5	23.63	1	63046	63246
SBOX-69K 6.6-300	600 × 600 × 300	5	24.35	1	63048	63248
SBOX-69K 6.8-300	600 × 800 × 300	5	30.97	1	63056	63256



## MAIN DIMENSIONS Stainless Steel Box IP69K



TYPE	OVERALL SIZE			OPENING DEPTH			MOUNTING HOLE POSITIONS		MOUNTING PLATE SIZE		LOCKS	WEIGHT kg	ORDER No. AISI 304	ORDER No. AISI 316
	A	B	C	a	b	d	W1	H1	W3	H3				
SBOX-69K 3.3-200	300	300	200	230	230	185	260	350	228	228	1	9.16	63008	63208
SBOX-69K 3.4-200	300	400	200	230	330	185	260	450	228	328	2	10.93	63012	63212
SBOX-69K 4.3-200	400	300	200	330	230	185	360	350	328	228	1	10.93	63016	63216
SBOX-69K 4.4-200	400	400	200	330	330	185	360	450	328	328	2	13.13	63020	63220
SBOX-69K 4.5-150	400	500	150	330	430	135	360	550	328	428	2	13.20	63022	63222
SBOX-69K 4.6-200	400	600	200	330	530	185	360	650	328	528	3	17.52	63028	63228
SBOX-69K 5.5-200	500	500	200	430	430	185	460	550	428	428	5	20.58	63033	63233
SBOX-69K 5.6-200	500	600	200	430	530	185	460	650	428	528	5	21.80	63034	63234
SBOX-69K 5.6-300	500	600	300	430	530	285	460	650	428	528	5	23.20	63035	63235
SBOX-69K 6.4-200	600	400	200	530	330	185	560	450	528	328	4	17.52	63040	63240
SBOX-69K 6.6-200	600	600	200	530	530	185	560	650	528	528	5	23.63	63046	63246
SBOX-69K 6.6-300	600	600	300	285	560	285	560	650	528	528	5	24.35	63048	63248
SBOX-69K 6.8-300	600	800	300	285	560	285	560	850	528	728	5	30.97	63056	63256



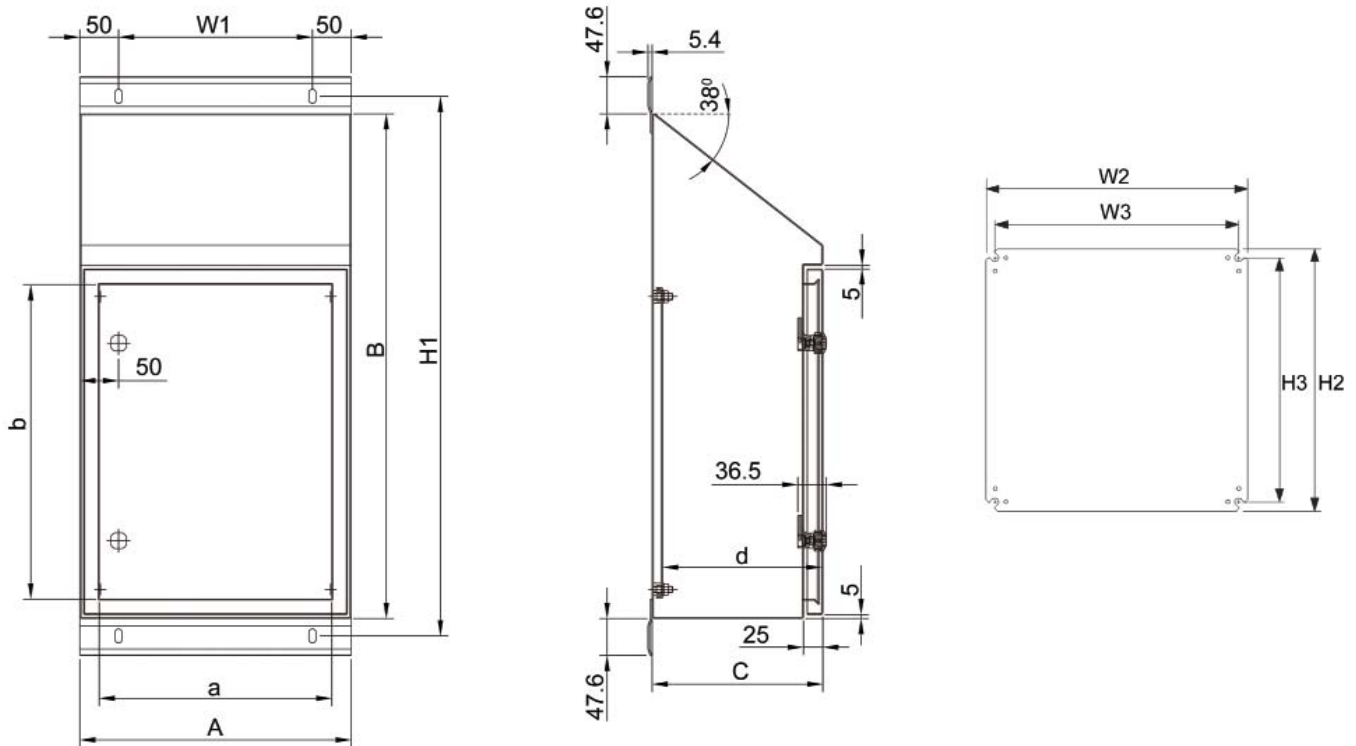
**SLOPING ROOF BOX ■  
IP66**

**BOX MIT SCHRÄGDACH ■**


**BOX MED SKRÅT TAG ■**

TYPE	DESCRIPTION	SIZE (W x H x D)	LOCKS	WEIGHT kg	QTY	ORDER No. AISI304	ORDER No. AISI316
SLRB 4.6-250	SLOPING ROOF BOX IP66	400 x 600 x 250	2	13.6	1	61700	61720
SLRB 6.6-250	SLOPING ROOF BOX IP66	600 x 600 x 250	2	20.4	1	61701	61721
SLRB 6.8-250	SLOPING ROOF BOX IP66	600 x 800 x 250	2	27.2	1	61702	61722
SLRB 6.8-300	SLOPING ROOF BOX IP66	600 x 800 x 300	2	32.6	1	61703	61723
SLRB 6.10-250	SLOPING ROOF BOX IP66	600 x 1000 x 250	3	34.1	1	61704	61724
SLRB 6.10-300	SLOPING ROOF BOX IP66	600 x 1000 x 300	3	40.6	1	61705	61725
SLRB 8.8-250	SLOPING ROOF BOX IP66	800 x 800 x 250	2	36.2	1	61706	61726
SLRB 8.8-300	SLOPING ROOF BOX IP66	800 x 800 x 300	2	43.4	1	61707	61727
SLRB 8.10-250	SLOPING ROOF BOX IP66	800 x 1000 x 250	3	45.5	1	61708	61728
SLRB 8.10-300	SLOPING ROOF BOX IP66	800 x 1000 x 300	3	67.7	1	61709	61729
SLRB 10.10-300	SLOPING ROOF BOX IP66	1000 x 1000 x 300	3	84.5	1	61710	61730
SLRB 10.12-300	SLOPING ROOF BOX IP66	1000 x 1200 x 300	3	101.5	1	61711	61731

## MAIN DIMENSIONS Sloping Roof Box



TYPE	OVERALL SIZE			OPENING DEPTH			MOUNTING HOLE POSITIONS		MOUNTING PLATE SIZE				LOCKS	WEIGHT kg	ORDER No. AISI304	ORDER No. AISI316
	A	B	C	a	b	d	W1	H1	W2	H2	W3	H3				
SLRB 4.6-250	400	600	250	350	330	235	300	645	370	325	347	302	2	13.6	61700	61720
SLRB 6.6-250	600	600	250	550	330	235	500	645	570	325	547	302	2	20.4	61701	61721
SLRB 6.8-250	600	800	250	550	530	235	500	845	570	525	547	502	2	27.2	61702	61722
SLRB 6.8-300	600	800	300	550	490	285	500	845	570	485	547	462	2	32.6	61703	61723
SLRB 6.10-250	600	1000	250	550	730	235	500	1045	570	725	547	702	3	34.1	61704	61724
SLRB 6.10-300	600	1000	300	550	690	285	500	1045	570	685	547	662	3	40.6	61705	61725
SLRB 8.8-250	800	800	250	750	530	235	700	845	770	525	747	502	2	36.2	61706	61726
SLRB 8.8-300	800	800	300	750	490	285	700	845	770	485	747	462	2	43.4	61707	61727
SLRB 8.10-250	800	1000	250	750	730	235	700	1045	770	725	747	702	3	45.5	61708	61728
SLRB 8.10-300	800	1000	300	750	690	285	700	1045	770	685	747	662	3	67.7	61709	61729
SLRB 10.10-300	1000	1000	300	950	690	285	900	1045	970	685	947	662	3	84.5	61710	61730
SLRB 10.12-300	1000	1200	300	950	890	285	900	1245	970	885	947	862	3	101.5	61711	61731



**CERTIFICATE NUMBER: 856792-2648006-001**  
**PORT OFFICE: COLOMBO, SRI LANKA**

*Certificate of*  
**MANUFACTURING ASSESSMENT**

This is to certify that: The Undersigned did evaluate the relevant manufacturing quality procedures for the type of products of the manufacturer:

**ELSTEEL (PVT) LTD. Plant at KATUNAYAKE, SRI LANKA**

The methods of assuring and controlling quality during production as required by the ABS Rules or Guides for the product and the associated specifications or standard were verified to reflect the specific surveys, required by the Rules and Standards for the manufacture of:

**POWER DISTRIBUTION MODULE**

The manufacturer presented a sample or specimen of the product, representative of the "type" approved, to the undersigned, for the purpose of verifying that the "type" has been manufactured in conformance with the Manufacturer's Product Design Assessments.

This Certificate of Manufacturing Assessment is an evaluation of the manufacturer alone and is neither an approval nor a rejection of the product described above. Unless cancelled, expired or revoked, this certificate remains valid subject to annual audits.

Consult the ABS Type Approval website to confirm the continued particular products being manufactured.

ISSUE DATE	19 June 2014	EXPIRY DATE	
SURVEYOR	MENDIS, PETER		
FIRST ANNUAL ENDORSEMENT			
SECOND ANNUAL ENDORSEMENT			
THIRD ANNUAL ENDORSEMENT			
FOURTH ANNUAL ENDORSEMENT			

Note: This Certificate endorses compliance with one or more of the Rules, guides, standards or other applicable documents, as listed or otherwise indicated. This Certificate is representative of the Rules and Guides, but does not constitute a guarantee of the quality of the product. The undersigned does not assume any responsibility for the quality of the product or the accuracy of the information provided in this document. The undersigned does not assume any responsibility for the quality of the product or the accuracy of the information provided in this document. The undersigned does not assume any responsibility for the quality of the product or the accuracy of the information provided in this document.

ABS 257 (09-11) Rev 1



## Type Approval Certificate Extension

This is to certify that Certificate No. 02/7000(E1) for the undernoted products is extended and renumbered as shown.

This certificate is issued to:

PRODUCER	Elsted Denmark A/S Fabrikvej 23, DK-3000 Helsingør Denmark
PLACE OF PRODUCTION	Elsted Ltd. Spur Road 2 1/F2, Katunayaka Sri Lanka
DESCRIPTION	Low voltage modular switchboard assemblies & stainless steel cabinets.
TYPE	ELSTEEL Techno-module modular system for 690V, 30-60 Hz; bus ratings: 250-7300A.
APPLICATION	Marine, offshore and industrial applications.
STANDARD	Type tested to EN 61439-2, Ed. 1.0 2009-01 Enclosure protection IP 42 to EN 60529 - Switchboards Enclosure protection IPWAK to IEC62289 - SSC Box
RATINGS	For switchboard assemblies having ratings of bus bars/ bus bar configuration and/or enclosure protection differing from the tested assemblies, the actual properties may be derived by calculations based on the tested items.
LIMITATIONS	For Marine switchboards to be LR Classed the temperature rise of bus bars shall not exceed 45°C for bare conductors and 60°C where 02/7000(E1)
Certificate No.	
Issue Date	20 July
Expiry Date	17 Apr
Sheet	1 of 2

*Lloyd's Register* DMEA  
 Steamships Ltd, DK-2300 Helsingør

"Lloyd's Register, its affiliates and subsidiaries and each of them, are members of the Lloyd's Register Group, which is a company limited by guarantee in England and Wales. The undersigned does not assume any responsibility for the quality of the product or the accuracy of the information provided in this document."

РОССИЙСКИЙ МОРСКОЙ РЕГИСТР СУДОХОДА  
 RUSSIAN MARITIME REGISTER OF SHIPPING 6.8.3



## СВИДЕТЕЛЬСТВО О ТИПОВОМ ОДОБРЕНИИ TYPE APPROVAL CERTIFICATE

Изготовитель / Manufacturer: **ELSTEEL (PVT) LTD.**

Адрес / Address: **Spur Road 2, Phase 1, EPZ, Katunayaka, Sri Lanka**

Изделие\* / Product\*  
**Модули низковольтных распределительных щитов и пультов "TECHNO MODULE", "TECHNO MODULE LIGHT", "BOXES-MS/SS".  
 Low-voltage switchgear and controlgear assemblies "TECHNO MODULE", "TECHNO MODULE LIGHT", "BOXES-MS/SS".**

Код идентификации / Code of identification: **11190000**

На основании освидетельствования и проведенных испытаний удостоверяется, что вышеуказанный(ые) изделие(я) удовлетворяет(ют) требованиям Российского морского регистра судоходства.  
 This is to certify that on the basis of the survey and tests carried out the above mentioned item(s) comply(ies) with the requirements of Russian Maritime Register of Shipping.

Правила классификации и постройки морских судов, часть XI, издание 2010 г.  
 Rules for the Classification and Construction of Sea-Going Ships, Part XI, Edition 2010.

Настоящее Свидетельство о типовом одобрении действительно до: **24.03.2015**  
 This Type Approval Certificate is valid until

Настоящее Свидетельство о типовом одобрении теряет силу в случаях, установленных в Правилах технического надзора за постройкой судов и изготовлением материалов и изделий для судов.  
 This Type Approval Certificate becomes void in cases stipulated in Rules for the Technical Supervision during Construction of Ships and Manufacture of Shipboard Materials and Products.

Дата выдачи / Date of issue: **24.03.2010** № **10.00001.370**




Российский морской регистр судоходства / Russian Maritime Register of Shipping

Лопаткин А.Н. / A.Lopatkin (подпись, печать и т.д.)



\*Дополнительная информация / Additional information see certificate



TEST PERFORMED	CERTIFICATION AUTHORITY	CERTIFICATE REFERENCE
<b>Box Enclosures</b>		
01.  Certificate of compliance for MS & SS Boxes and Terminal Boxes.	CSA	227808
02.  Certificate of compliance for MS & SS Terminal Boxes.	UL	20130311-E 213746
03.  Certificate of compliance for MS & SS Boxes.	UL	20130305-E 207550
04. IP 69K certificate for stainless steel box enclosures (special type)	IPH	1819.1575.7.619
05. IP 65 certificate for mild steel box enclosure	UL	129169-02/A1
06. IP 66 certificate for stainless steel box enclosure	TEST SAFE	33814 33836
07. Lloyd's Register Type Approval Certificate for Marine, Off shore and industrial application of Stainless Steel Enclosures & 19" cabinets.	LR	02/70003 (E2)
08. ABS Type Approval Certificate for Shipboard and Associated Marine & Offshore installations.	ABS	08-SG366750-1-PDA
09. Russian Maritime Register of Shipping Type approval certificate for SS and MS Boxes for marine use.	RS	10.00001.270

## Also by ELSTEEL



Techno Module

<p><b>MS Box (IP65)</b></p> <ul style="list-style-type: none"> <li>- Box 2x2x150 to 4x3x200</li> <li>- Box 4x4x150 to 4x6x250</li> <li>- Box above 4x7x200</li> <li>- Mounting Plate</li> </ul>	<p>Mild steel 1mm textured epoxy / polyester in Light grey (RAL 7035) Fine tex.  Mild steel 1.2mm textured epoxy / polyester in Light grey (RAL 7035) Fine tex.  Mild steel 1.5mm textured epoxy / polyester in Light grey (RAL 7035) Fine tex.  Alu-zinc 2mm</p>
<p><b>MS Terminal Box (IP55)</b></p> <ul style="list-style-type: none"> <li>- Mounting Rails</li> </ul>	<p>Mild steel 1.2mm powder coated in Light grey (RAL 7035) Fine tex.  Alu-zinc 2mm</p>
<p><b>SS Box (IP66)</b></p> <ul style="list-style-type: none"> <li>- Box 2x2x150 to 6x6x200</li> <li>- Box above 6x6x300</li> <li>- Mounting Plate</li> </ul>	<p>Stainless steel 1.2mm (AISI 304, AISI 316) Wet grinding (180)  Stainless steel 1.5mm (AISI 304, AISI 316) Wet grinding (180)  Alu-zinc 2mm</p>
<p><b>SS Terminal Box (IP66)</b></p> <ul style="list-style-type: none"> <li>- Mounting Rails</li> </ul>	<p>Stainless steel 1.5mm (AISI 304, AISI 316) Wet grinding (180)  Alu-zinc 2mm</p>
<p><b>SS Floor Standing Enclosure (IP65)</b></p>	<p>Stainless steel 2mm (AISI 304, AISI 316) Wet grinding (180)</p>

Also by ELSTEEL



TM Light



19" Super Frame



Instant Panel

## EUROPE

**Cebco Limited - Czech Republic**  
Tel: ++420 604 645 648  
Mail: info@cebco.cz  
Mail: cebco@seznam.cz

**Culic Elektro Centar - Croatia**  
Tel: ++38 5 2120 4333  
Fax: ++38 5 2120 4343  
Mail: veleprodaja@culic.net

**EFA Elektro AS - Norway**  
Tel: ++47 6 681 2400  
Fax: ++47 6 680 0478  
Mail: geir.sogn@efa.no

**Elektra-Bree-Bordenbouw nv - Belgium**  
Tel: ++32 8941 0041  
Fax: ++32 8941 0049  
Mail: kg@ebbnv.be

**ELFA S.A. - Greece**  
Tel: ++30 210 341 1666  
Fax: ++30 210 342 6630  
Mail: cfotis@elfa.gr

**Elsteel - Ireland**  
Tel: ++353 1 456 8566  
Fax: ++353 1 450 6104  
Mail: debbie@elsteel.ie

**Elsteel NI - Ireland**  
Tel: ++44 289 077 4041  
Fax: ++44 289 078 3197  
Mail: ghavlin@parkelect.co.uk

**Elsteel Ltd. - Poland**  
Tel: ++48 77 465 4666  
Fax: ++48 77 465 4674  
Mail: elsteel@elsteel.pl

**Elsteel UK Ltd. - United Kingdom**  
Tel: ++44 197 885 5909  
Fax: ++44 197 885 5824  
Mail: sales@elsteel.co.uk

**Envolventes Elsteel - Spain**  
Tel: ++34 95 567 5988  
Fax: ++34 95 567 5987  
Mail: josemanuel@cenazarenos.com

**Montakon - Netherlands (Box Items)**  
Tel: ++31 73 599 6000  
Fax: ++31 73 599 6060  
Mail: info@montakon.nl

**N. N. Control Panels Ltd. - Cyprus**  
Tel: ++357 25 71 4816  
Fax: ++357 25 71 4415  
Mail: info@nncontrolpanels.com

**NTI GmbH- Germany**  
Tel: ++49 5181 85 530  
Fax: ++49 5181 85 535 55  
Mail: info@nti-group.de

**Rafmidlun hf - Iceland**  
Tel: ++354 540 3500  
Fax: ++354 540 3501  
Mail: kolbeinn@rafmidlun.is

## EUROPE - Contd.

**RS Components Ltd. - England**  
Tel: ++44 1536 20 1234  
Fax: ++44 1536 20 1501  
Web: www.rswwww.com

**SKS Automaatio Oy - Finland**  
Tel: ++358 20 764 61  
Fax: ++358 20 764 6820  
Mail: automaatio@sk.fi

**UAB Electric Box - Lithuania**  
Tel: ++370 68 697 304  
Fax: ++370 45 580 242  
Mail: saulius@electricbox.lt

## CANADA

**Westshore Controls - Canada**  
Tel: ++1 604 817 0987  
Fax: ++1 604 943 1661  
Mail: westshorecontrols@gmail.com

## AUSTRALIA

**IPD Group Ltd. - Australia & New Zealand**  
Tel: ++61 2 9645 0777  
Fax: ++61 2 9645 1608  
Mail: brian.rodicks@ipdgroup.com.au

## MIDDLE EAST

**Elsteel Middle East L.L.C - Dubai**  
Tel: ++971 4 396 7033  
Fax: ++971 4 396 7023  
Mail: info@elsteelme.com

**Harb Electric - Lebanon**  
Tel: ++961 1 821 625  
Fax: ++961 1 821 626  
Mail: mazen.harb@harbelectric.com

**Jawad Electric Switchgear Mfg. - Jordan**  
Tel: ++962 6 488 5617  
Fax: ++962 6 489 1481  
Mail: b.hindi@jawadswitchgear.com

**KG Switchgear - Qatar**  
Tel: ++974 4416 5836  
Fax: ++974 4416 5837  
Mail: kumar@kgswitchgear.com

**National Electrical Industries Co. LLC. - Oman**  
Tel: ++968 2 445 4951  
Fax: ++968 2 445 3721  
Mail: tusharchavan@neioman.com

**PAC International - Qatar**  
Tel: ++974 4450 6084  
Fax: ++974 4683 021  
Mail: mazen.harb@harbelectric.com

**Pacific Ocean Elect. Switchgear Ind. - Sharjah**  
Tel: ++971 653 45334  
Fax: ++971 653 47212  
Mail: henry@pacificocean.ae

**Power & Control Fzco - Dubai**  
Tel: ++971 4 883 0391  
Fax: ++971 4 883 0392  
Mail: khalil@pnc-ae.com

**Schneider Electrical Engineering Ltd - Israel**  
Tel: ++972 4 609 4433  
Fax: ++972 4 649 2216  
Mail: sagi@sche.co.il

## MIDDLE EAST - Contd.

**Sharikah Fanniyah Omaniya Ltd. - Oman**  
Tel: ++968 2 481 5970  
Fax: ++968 2 481 0706  
Mail: gm@sfofuscat.com

**Voltamp Energy SAOG - Oman**  
Tel: ++968 2 444 9140  
Fax: ++968 2 444 6584  
Mail: chandru@voltampoman.com

**Zaki El-Sewedy Group - Egypt**  
Tel: ++202 3816 4079  
Fax: ++202 3816 4080  
Mail: wael.hasan@elsewedy.net

## ASIA

**Elsteel Ltd. - Sri Lanka**  
Tel: ++94 11 225 2485  
Fax: ++94 11 225 2698  
Mail: elsteel@elsteel.com

**Elsteel Modular Products (Pvt) Ltd. - India**  
Tel: ++91 832 661 1111  
Fax: ++91 832 661 1112  
Mail: elsteel@elsteel.in

**Elsteel Techno - Singapore & Malaysia**  
Tel: ++65 645 546 98  
Fax: ++65 645 591 31  
Mail: elsteel@singnet.com.sg

**Fudo Automation Systems - Hyderabad, India**  
Tel: ++91 40 2004 0814  
Fax: ++91 40 2754 4075  
Mail: fudo@rediffmail.com

**Neptune Systems (Pvt) Ltd. - India**  
Tel: ++91 12 0420 5900  
Fax: ++91 12 0306 9042  
Mail: dk@neptuneindia.com

**Prakticheskaya Elektrotehnica - Kazakhstan**  
Tel: ++7 727 3783 294  
Fax: ++7 727 3783 487  
Mail: pealmaty@mail.ru

## AFRICA

**ATI Systems - South Africa**  
Tel: ++27 11 383 8300  
Fax: ++27 11 824 1353  
Mail: sales@atisystems.co.za

**M & E Commercial Engineers Ltd.- Mauritius**  
Tel: ++230 677 9838  
Fax: ++230 677 7200  
Mail: mec.eng@intnet.mu

**Specialised Power Systems Ltd. - Kenya**  
Tel: ++254 20 207 7219  
Fax: ++254 20 353 2986  
Mail: info@spsafrica.com

## CIS

**JSC Electronmash - Russia**  
Tel: ++781 2 702 1262  
Fax: ++781 2 702 1262  
Mail: polityn@electronmash.ru



ELSTEEL Denmark Fabrikvej 23 · 3000 Helsingør  
Tel +45 49 22 33 44 · Fax +45 49 22 33 45  
elsteel@elsteel.dk · www.elsteel.com

