

oslo

art.
301

Projectors

Recessed

Contemporary

Traditional



corpo alluminio pressofuso
body in die casting aluminium
corps en aluminium moulé
sous pression
cuerpo aluminio inyectado
Körper aus Aluminium-
Druckguss

diffusore vetro
diffuser glass
diffuseur verre
difusor vidrio
Diffuser Glas

dettagli / details / details detalles / details:
p.164-165

FOR TECHNICAL DETAILS VISIT
www.landa.it

IP43

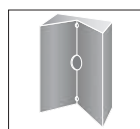
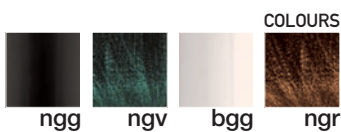
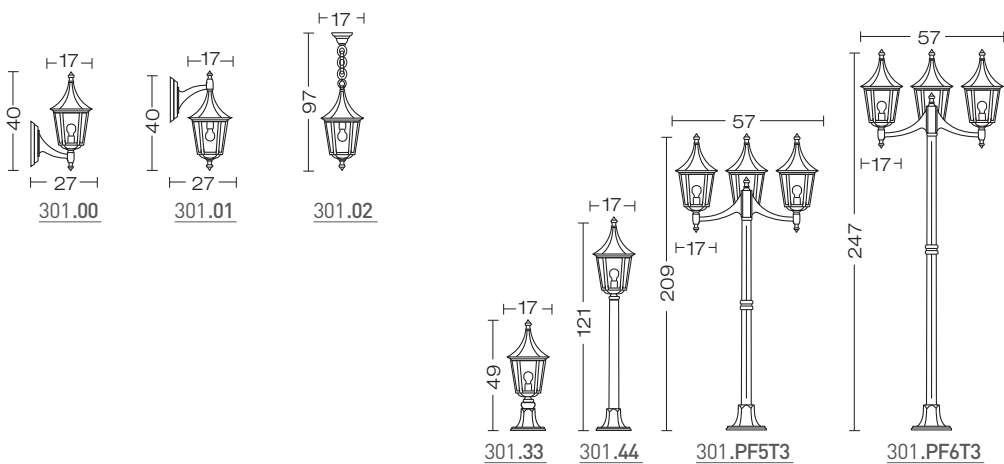
ELECTRIFICATION



Energy efficiency classes

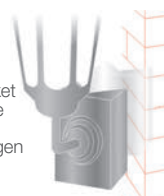
example code:

art.	finishing	size	colour
301	.	02	ngg

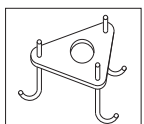


00108

angoliera
corner bracket
patte d'angle
esquinera
Eckhalterungen



esempio di fissaggio
fixing example
exemple de fixation
ejemplo de fijación
Beispiel von Fixierung



Anchor Bolt:
code

301.PF5....
301.PF6....

code 00APF6

Accessories on request:



code 0404M004
Single connection IP68



code 0404M003
Loop in loop out IP68

max 60 W

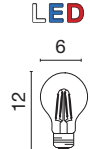


max 23 W



E27

max 15 W



A+ ÷ E