



**Product Description:**

The AZPLORE LBHR1424 LED bulkhead lighting fixtures are perfect replacement for standard 32W T8 circular fluorescent luminaires. The LBHR-B series can be used as emergency lighting as they come with additional battery backup power, ensuring minimum of 3 hours lighting during power failure. The LBHR-BS series combine emergency and sensor options, with additional built-in motion sensor and can toggle between 100% and 30% brightness to provide further operational savings. The AZPLORE bulkhead is suitable for corridors, utilities room, walkways and general residential/commercial lighting applications.

**Features:**

**Superb Performance**

- Energy-efficient LED light source provides higher brightness
- Saves up to 40% energy compared with a standard 32W T8 circular fluorescent luminaire with EM ballast
- High-performance frosted diffuser produces evenly diffused light with minimal light loss
- Instant-on with no flickering start
- IP44 rated casing

**User-friendly**

- Light weight makes it easy to install
- Insect-tight design prevents intrusion of insects into luminaire
- Maintenance free for lifespan of 35,000 hours

**Additional Functions**

- Emergency lighting deployment with additional battery backup power, ensuring at least 3 hours of lighting during power failure
- Built-in microwave motion sensor to provide sensing, perfect for stair well and walkway applications

**Features and Benefits:**



AZPLORE LED Emergency Bulk Head Light  
LBHR1424B-840  
14-inch / 24 Watt / daylight ✳

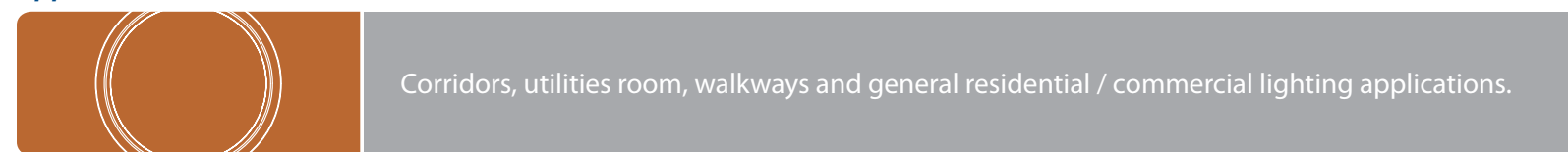
AZPLORE LED Bulk Head Light  
LBHR / LBHR-B / LBHR-S / LBHR-BS

**Specifications:**

General Specifications (Lighting Fixture & LED Module)				
Model No.	LBHR1424	LBHR1424B	LBHR1424S	LBHR1424BS
Operating Input Voltage	AC 220V~240V, 50Hz~60Hz			
Power Consumption	24W			
Lumen	1200lm~1350lm			
Power Factor	0.9			
Operating / Storage Temp.	-20°C~40°C / -40°C~80°C			
Colour Temperature	warm white * / cool white * / daylight *			
CRI	80			
IP Rating	IP44			
Materials	Casing: PC / Base: Aluminium			
Diffuser	PMMA, White Matt Finish			
Replacement For	32W T8 Fluorescent Light Output			
Lifespan	35,000 hours			
Microwave Sensor (for LBHR1424BS model)				
Detection Zone	Max. 5m			
Detection Angle	150°			
HOLD-Time	5s / 30s / 3mins / 5mins / 15mins / 25mins			
Battery System (for LBHR1424B and LBHR1424BS models)				
Type of Battery	High Temperature Ni-HM Rechargeable Battery			
Battery Capacity	4.8V / 2200mAh			
Protection System	Low Voltage Cut-off. Constant Batteries Status Monitoring			
Maintained Backup Time	3 hours (Luminaire brightness reduced to 30%)			
Charge Time	<12 hours			



**Applications:**



**Power Comparison:**

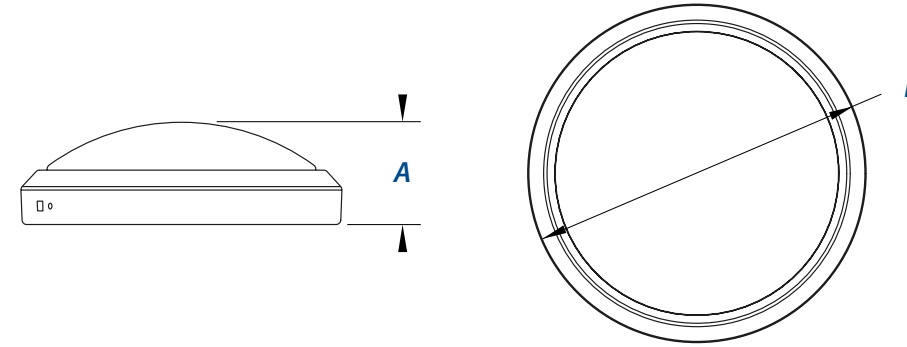
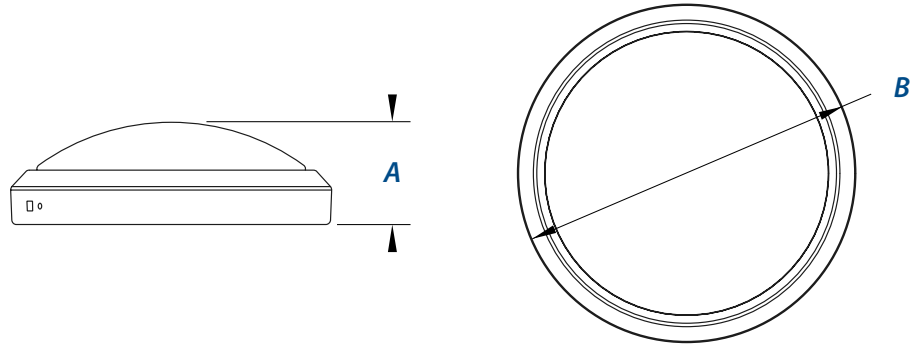
	AZ e-lite LED Lighting ECO-Solutions			
	LBHR1424	LBHR1424B	LBHR1424S	LBHR1424BS
Power Consumption	24W	24W	24W (Fully ON) 8W (Standby)	24W (Fully ON) 8W (Standby)
Conventional Lighting Wattage	32W + 4W	32W + 4W	32W + 4W	32W + 4W
Savings in Wattage	12W	12W	26.4W *	26.4W *

Note : All specifications subject to change without prior notice.

Remarks: Savings in Electricity Compared to T8 Fluorescent Lights. (\*10% ON Time, 90% Standby Mode)

Measurement:

Height A x Diameter B (mm)



AZPLORE LED Bulk Head Light

LBHR1424-830  
 LBHR1424-840  
 LBHR1424-865  
 14-inch, 113(H) x ø355mm

 AZPLORE LED Bulk Head Light  
 (Emergency Lighting)

LBHR1424B-830  
 LBHR1424B-840  
 LBHR1424B-865  
 14-inch, 113(H) x ø355mm



AZPLORE LED Bulk Head Light  
 (with Microwave Sensor)

LBHR1424S-830  
 LBHR1424S-840  
 LBHR1424S-865  
 14-inch, 113(H) x ø355mm



AZPLORE LED Bulk Head Light  
 (Emergency Lighting with Sensor)

LBHR1424BS-830  
 LBHR1424BS-840  
 LBHR1424BS-865  
 14-inch, 113(H) x ø355mm

