

FEATURES

- Bartenbach 'Dark Light' technology
- Low UGR levels combined with high light output

Bartenbach
lighting optics



SPRINGS

Standard with CS spring (concrete/gyproc). Also available as above with WS spring (gyproc/metal).



COLOURS

Available colours:



Matt white RAL 9016 (XX=MW)
Matt black RAL 9005 (XX=BL)

Linea 68

Adjustable

SPECIFICATIONS

Beam angle (FWHM)	40° (65° FWTM)
Fixture material	Housing: Die cast aluminium / Reflector glass: Polycarbonate
Environment	Indoor
IK rate	IK03
Operating temperature (Ta)	-20°C / +45°C ¹
Safety marks	EN60598 / EN62031 / EN62471
EMC compliance	EN55015
Colour consistency (SDCM)	MacAdam step 3
Warranty	7 years * (within the European Union and the countries of the Free Trade Association for products delivered after 1 May 2015)
Energy class	A

This luminaire contains built-in LED lamps. There are no exchangeable parts inside the luminaire. EU 874/2012

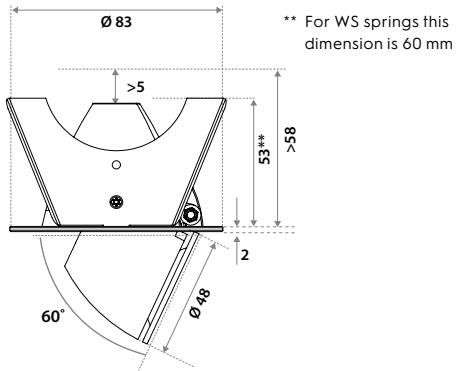
¹ In applications with a flat roof (fi. car showrooms) the temperatures may exceed 45°C. Please ask our sales office for a special driver.



LINEA 68 VARIATIONS

Linea 68 LV	220-240V	incl. power supply	page 3
Linea 68 LV-C	350mA	to be connected to a central power supply	page 4

DIMENSIONS



HOLE SIZE



Using CS (concrete) springs (concrete/gyproc)

For 5-58 mm ceiling thickness.
Recess depth 58 mm (incl. 5mm space for air ventilation).

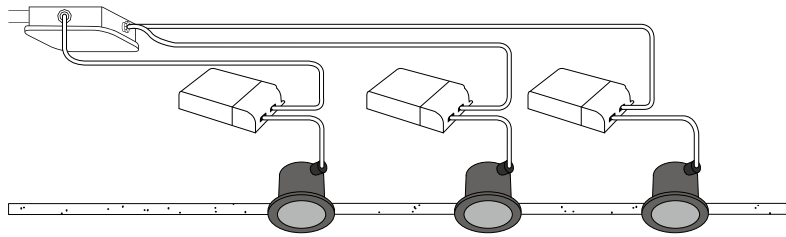
Using WS (wire) springs (gyproc/metal)

For 1-30 mm ceiling thickness.
Recess depth 58 mm (incl. 5mm space for air ventilation).

LINEA 68 (dimmable - incl. individual power supply)

220-240V

Downlight incl. PSU



ITEM SPECIFICATIONS (PART A)

Description	Item code	Item code	Input	W	Lm	Lm/W	CRI (typ.)	UGR	Pf	Ripple	Inrush current	B-16A Fuse
Linea 68 adj LV 375Lm 2700K Triac dim	375303XX4813	375303XX5813	220-240V	5,7	375	66	82	14.2	0.96	<20%	2A 50µS	50 pcs
Linea 68 adj LV 400Lm 3000K Triac dim	375303XX4913	375303XX5913	220-240V	5,7	400	70	82	14.4	0.96	<20%	2A 50µS	50 pcs
Linea 68 adj LV 425Lm 4000K Triac dim	375303XX5013	375303XX6013	220-240V	5,7	425	75	82	14.6	0.96	<20%	2A 50µS	50 pcs
Linea 68 adj LV 375Lm 2700K 1-10V & Push	375303XXTD13	375303XXTG13	220-240V	5,7	375	66	82	14.2	0.96	<20%	2A 50µS	50 pcs
Linea 68 adj LV 400Lm 3000K 1-10V & Push	375303XXTE13	375303XXTH13	220-240V	5,7	400	70	82	14.4	0.96	<20%	2A 50µS	50 pcs
Linea 68 adj LV 425Lm 4000K 1-10V & Push	375303XXTF13	375303XXTJ13	220-240V	5,7	425	75	82	14.6	0.96	<20%	2A 50µS	50 pcs
Linea 68 adj LV 375Lm 2700K Dali	375303XXTK13	375303XXTN13	220-240V	5,7	375	66	82	14.2	0.96	<20%	2A 50µS	50 pcs
Linea 68 adj LV 400Lm 3000K Dali	375303XXTL13	375303XXTP13	220-240V	5,7	400	70	82	14.4	0.96	<20%	2A 50µS	50 pcs
Linea 68 adj LV 425Lm 4000K Dali	375303XXTM13	375303XXTQ13	220-240V	5,7	425	75	82	14.6	0.96	<20%	2A 50µS	50 pcs

ITEM SPECIFICATIONS (PART B)

Description	Safety class	Energy class	Weight	Dimensions single carton	Quantity per pallet	Expected lifespan (25°C)		
						L70B50	L80B50	L90B50
Linea 68 adj LV	II	A	225 gr	105x105x61 mm	42 pcs	70.000 hrs	70.000 hrs	70.000 hrs

All values are measured at 230V (+/- 7%)

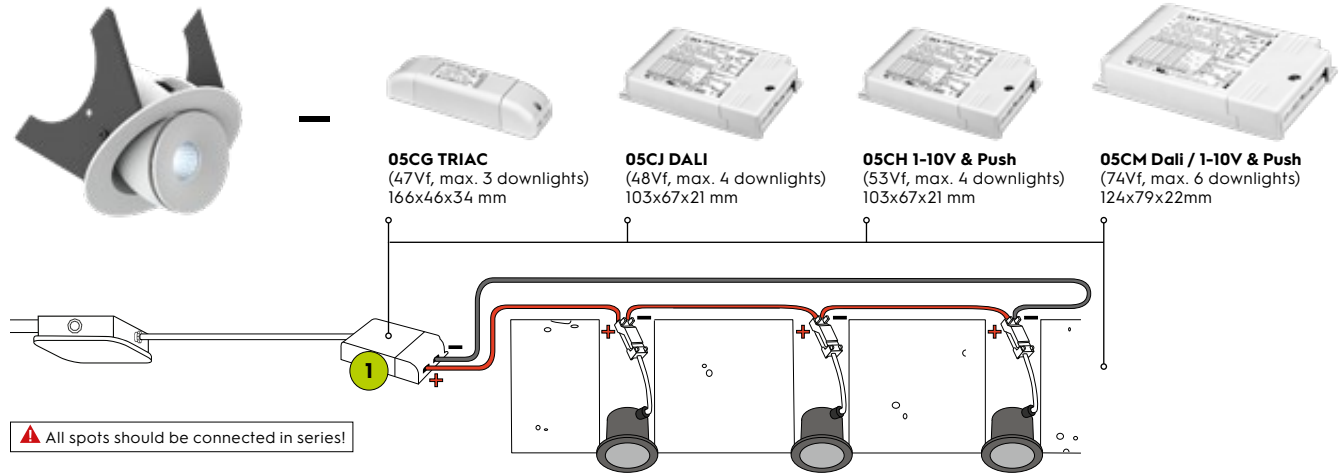
INCL. PSU

- PSU TCI 127040 Triac dim 102x38x21 mm
- PSU TCI 123400 1-10V & Push 102x38x21 mm
- PSU TCI 127576 Dali 147x44x22 mm



LINEA 68 (dimmmable - excl. central power supply)

350 mA



ITEM SPECIFICATIONS (PART A)

Description	Item code CS	Item code WS	Input	Vf	W	Lm	Lm/W	CRI (typ.)	UGR	Pf	Ripple	Inrush current	B-16A Fuse
Linea 68 adj LV-C 350mA 375 Lm 2700K Dim	375303XX4811	375303XX5811	350mA	11,9	4,5	375	83	82	14.2	x	x	x	x
Linea 68 adj LV-C 350mA 400 Lm 3000K Dim	375303XX4911	375303XX5911	350mA	11,9	4,5	400	89	82	14.4	x	x	x	x
Linea 68 adj LV-C 350mA 425 Lm 4000K Dim	375303XX5011	375303XX6011	350mA	11,9	4,5	425	94	82	14.6	x	x	x	x

ITEM SPECIFICATIONS (PART B)

Description	Safety class	Energy class	Weight	Dimensions single carton	Quantity per pallet	Expected lifespan (25°C)		
						L70B50	L80B50	L90B50
Linea 68 adj LV-C 350mA	III	A	175 gr	105x105x61 mm	42 pcs	70.000 hrs	70.000 hrs	70.000 hrs

ITEM SPECIFICATIONS (PART A)

Description	Item code	Input	Watt	Current	Efficiency	Pf	Ripple	Weight	Inrush current	B-16A Fuse
PSU 17W 350mA Triac (1)	05CG03MLMD00	220-240V	17W (47Vf)	350mA	85%	0.97	<3%	138 gr	5A 50µS	50 pcs
PSU 17W 350mA Dali (1)	05CJ03MLMD00	220-240V	17W (48Vf)	350mA	87%	0.98	<3%	138 gr	5A 50µS	50 pcs
PSU 18W 350mA 1-10V & Push (1)	05CH03MLMD00	220-240V	18W (53Vf)	350mA	90%	0.95	<3%	138 gr	5A 50µS	50 pcs
PSU 25W 350mA Dali / 1-10V & Push (1)	05CM03MLMD00	220-240V	25W (74Vf)	350mA	89%	0.95	<3%	218 gr	20A 400µS	50 pcs

All values are measured at 230V (+/- 7%)

INCLUDING CONNECTION BOX

For installation to a central power supply.

